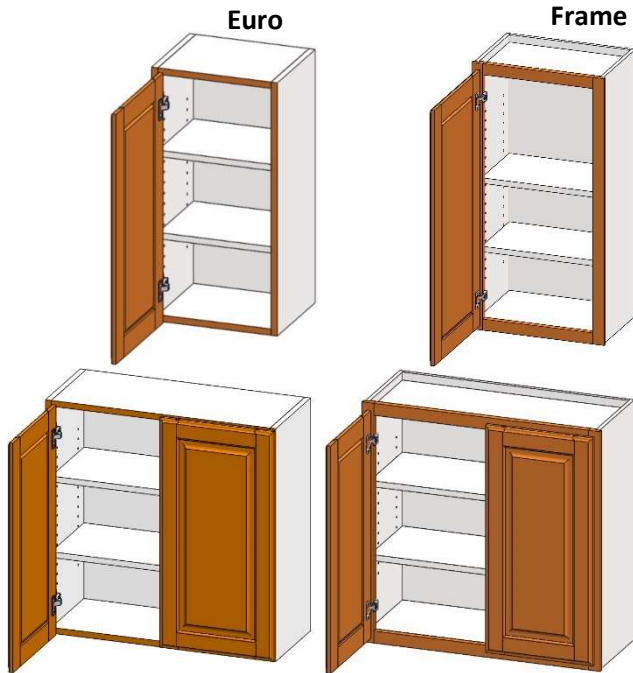




Product Catalog

Wall Cabinets	1-8
Wall Angle Cabinets	2-4
Decorative Wall Cabinets	5-8
Range Hood	9-12
Base Cabinets	13-20
Base, Base Sink, and Drawer Cabinets	13-15
Base Angle Cabinets	16-19
Decorative Base Cabinets	20
Vanity Cabinets	21-26
Vanity, Vanity Sink	21-22
Vanity Combo, Vanity Sink and Drawer	23
Vanity Drawer, Decorative Vanity Cabinets	24-26
Utility Cabinets	27-29
Oven Cabinet, Broom Closet, Linen Closet	27-28
Linen Closet With Drawers, Bookcase	28-29
Cabinet Options	30-39
Overlay and Frame Options	30-33
Cabinet and Drawer Inserts	34-39
Finishing Accessories	40-48
Fillers, Finishing Panels	40-42
Scribe, Crown, Decorative Parts	43-48

Wall Cabinets

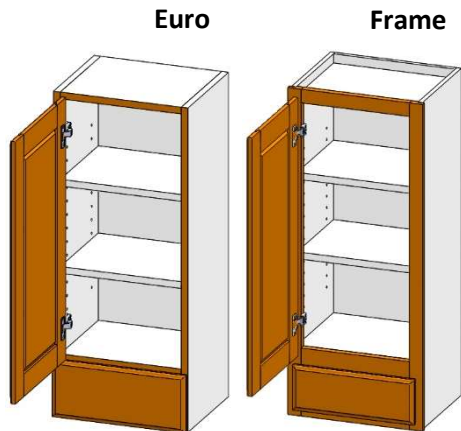


Code	Minimum-Maximum		
	Width	Height	Depth
W	7-48"	9-48"	12-24"

Example:
 W1230L
 W3030

- *Standard 3" increments
- *Available in Face Frame, or Frameless Construction
- ***Frameless Constructed Cabinets Are Only Available in Widths Up To 36" Wide**
- ***Wall Cabinets 39" and wider will have a center stile**
- *12" high cabinets with single doors that are 21" wide or wider and all 9" high cabinets are hinged at the top with hardware to support the door
- ***Cabinet Width of 27" and wider will be double door**
- ***Cabinet Width of 24" can be either double or single door**
- *Specify Right or Left hinge on cabinets up to 24" wide
- *Wall cabinets come standard with 3/4" adjustable shelves

Wall Drawer Combo



Code	Minimum-Maximum		
	Width	Height	Depth
WDC	12-24"	30-60"	12-24"

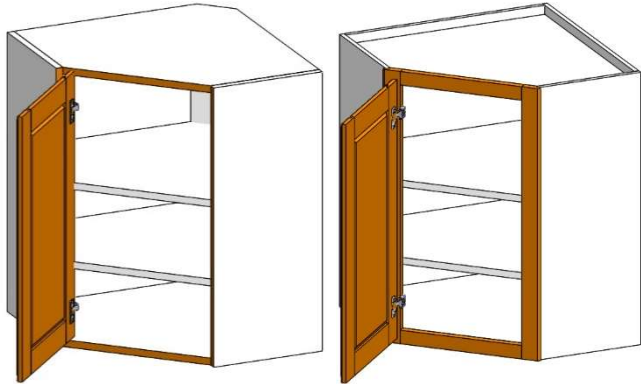
Example:
 WDC2148L-#

- *Standard 3" increments
- *# Specifies the number of drawers (up to 3)
- *Specify Right or Left hinge
- *Available in Face Frame, or Frameless Construction
- *Wall Drawer Combo cabinets come standard with 3/4" adjustable shelves

Wall Corner

Euro

Frame



Code

Minimum-Maximum

WC

Width	Height	Depth
21-27"	9-48"	12,15"

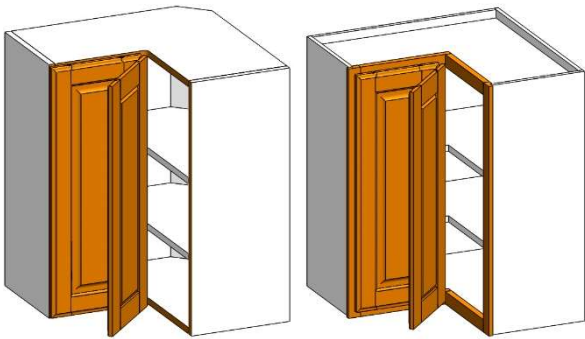
Example:
WC2430L

- *Standard 3" increments
- *Available in Face Frame, or Frameless Construction
- *Wall Corner cabinets come standard with 3/4" adjustable shelves
- *Apply 3/4" Veneer Panel for finished ends on euro

Wall Corner Easy Reach

Euro

Frame



Code

Minimum-Maximum

WCER

Width	Height	Depth
21-27"	24-48"	12,15"

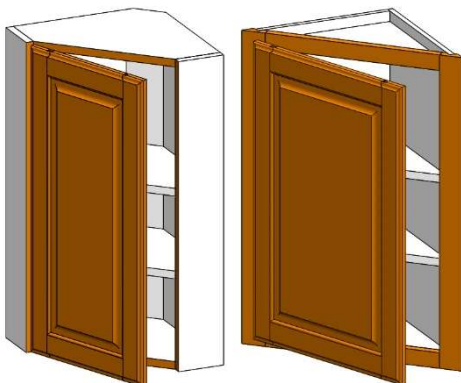
Example:
WCER2430L

- *Standard 3" increments
- *Available in Face Frame, or Frameless Construction
- *Wall Corner Easy Reach cabinets come standard with 3/4" adjustable shelves

Wall Angle Corner

Euro

Frame



Code

Minimum-Maximum

WAC

Width	Height	Depth
12-24"	9-48"	12-24"

Example:
WAC1530R

- *Standard 3" increments
- *Available in Face Frame, or Frameless Construction
- *Wall Angle Corner cabinets come standard with 3/4" adjustable shelves
- *Apply 3/4" Veneer Panel for finished ends on euro

Wall Double Angle

Frame Only

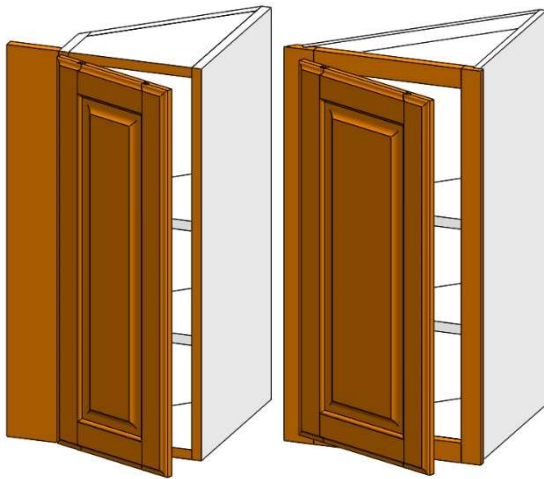


Code	Minimum-Maximum		
	Width	Height	Depth
WDA	12-24"	9-48"	12-24"
<p>*Standard 3" increments</p> <p>*Available in Face Frame Construction ONLY</p> <p>*Wall Double Angle cabinets come standard with 3/4" adjustable shelves</p>			
<p>Example: WDA1530R</p>			

Wall Angle End

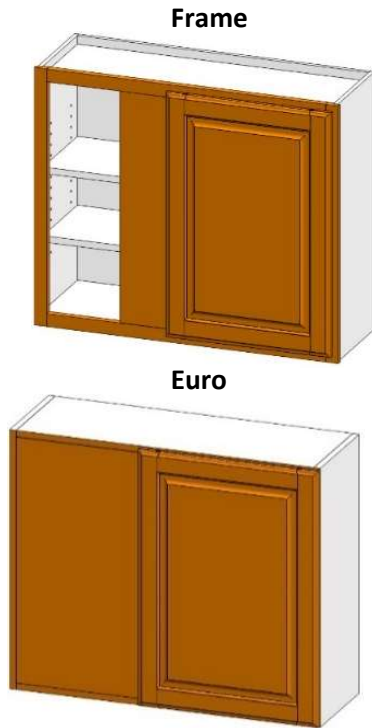
Euro

Frame



Code	Minimum-Maximum		
	Width	Height	Depth
WAE	12-24"	9-48"	12-24"
<p>*Standard 3" increments</p> <p>*Available in Face Frame, or Frameless Construction</p> <p>*Wall Angle End cabinets come standard with 3/4" adjustable shelves</p> <p>*Apply 3/4" Veneer Panel for finished ends</p> <p>*Euro WAE are 3-1/2" shorter than specified width and require a 3-1/2" filler</p>			
<p>Example: WAE1530L</p>			

Wall Square Corner

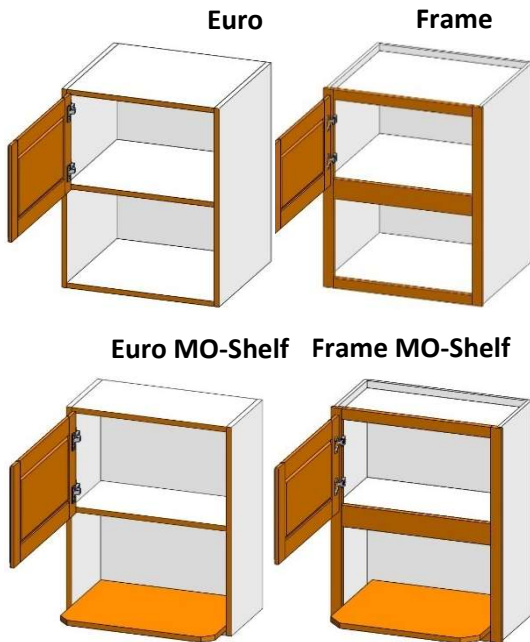


Code	Minimum-Maximum		
	Width	Height	Depth
WSC	24-48"	9-48"	12-15"

*Standard 3" increments
 *Available in Face Frame, or Frameless Construction
 *Ordering a wall square corner 24" wide is not recommended, the door opening is only 7-1/2" wide.
 * **Solid Blind**- Can be ordered with a 1/8" Masonite or 3/4" solid hardwood (Face Frame ONLY)
 *Wall Square Corner cabinets come standard with 3/4" adjustable shelves

Example:
WSC3030R

Microwave Cabinets

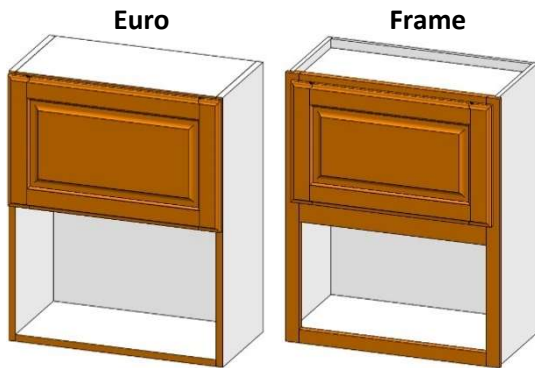


Code	Minimum-Maximum		
	Width	Height	Depth
MO	21-36"	30-48"	21"

*Standard 3" increments
 *Available in Face Frame, or Frameless Construction
 *Maximum opening width is 2" less than cabinet width for Face Frame & 1-1/2" less for Frameless
 *Specify **Shelf** for hardwood shelf option
 *If no cutout is specified, the order the MO is on will not be sent into production until cutout is received
 *Number of shelves will vary depending on opening height
 *Do not install next to wall corner cabinets or wall square corner cabinets, door will hit the microwave
 *Cabinet Width of 27" and higher will be double door
 *Cabinet Width of 24" can be either double or single door
 *MO-Shelf cabinets are 12" deep, and MO cabinets are standards 21" deep

Example:
MO2430R
MO2430-Shelf

Wall Open Shelf Cabinets


Code
Minimum-Maximum

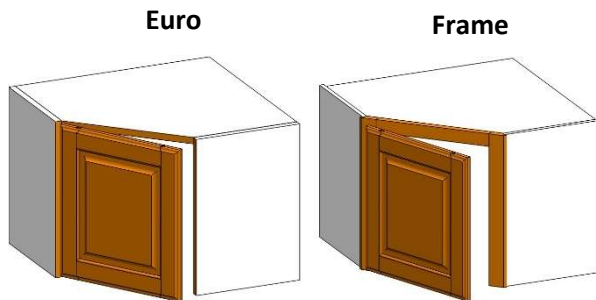
Width	Height	Depth
9-48"	30-48"	12"

WOS

- *Standard 3" increments
- *Available in Face Frame, or Frameless Construction
- *Open shelf area will match existing cabinet interior
- *Cabinet Width of 27" and wider will be double door
- *Cabinet Width of 24" can be either double or single door

Example:
WOS2430R
WOS3030

Diagonal Appliance Centers


Code
Minimum-Maximum

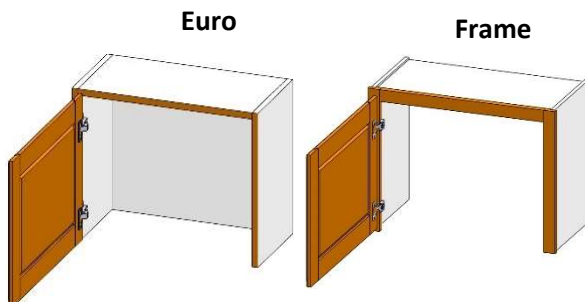
Width	Height	Depth
24-27"	*	12-24"

APC

- *Standard 3" increments
- *Available in Face Frame, or Frameless Construction
- *Specify APC height
- *Diagonal Appliance Centers do NOT come with backs

Example:
APC24
Diag

Square Appliance Center


Code
Minimum-Maximum

Width	Height	Depth
18-36"	*	12-24"

SQ APC

- *Standard 3" increments
- *Available in Face Frame, or Frameless Construction
- *Specify APC height
- *Face Frame Square Appliance Centers do NOT come with backs

Example:
SQ
APC24

Fluted Display Cabinet

Frame Only



Code	Minimum-Maximum		
	Width	Height	Depth
FDC	48"	48"	12"

*Standard 3" increments
 *See Valance Options for Fluted Display Cabinets
 *Shelf Options begins at 24" and taller
 ***Only Available in Face Frame Construction**

Example: FDC2424

Corner Shelves

Frame and Euro



Code	Minimum-Maximum		
	Width	Height	Depth
CS	6"	24-48"	12"

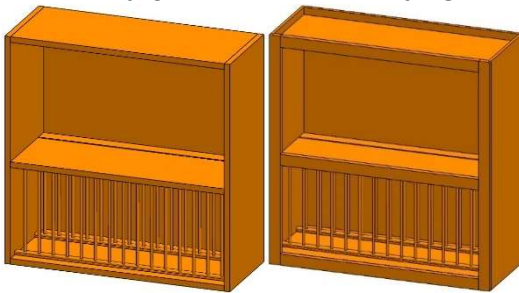
*Standard 3" increments
 *Corner Shelves are 6" wide, and 12" deep
 *Made with 3/4" Hardwood Veneer

Example: CS30

China Wall Cabinet

Euro

Frame

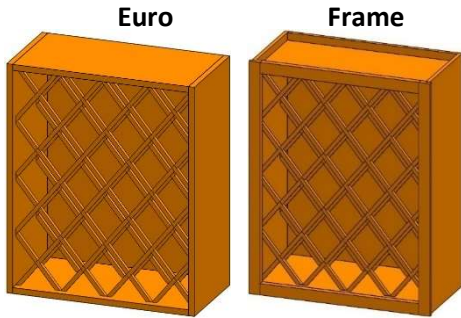


Code	Minimum-Maximum		
	Width	Height	Depth
CW	15-36"	30-48"	12"

*Standard 3" increments
 *Made with 1/2" Hardwood Veneer (Face Frame)
 *Maximum Plate Size 11-1/4"

Example: CW3630

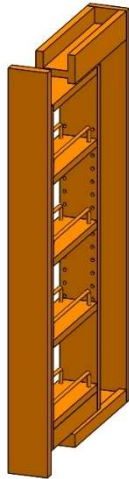
Wine Rack Cabinet



Code	Minimum-Maximum		
	Width	Height	Depth
	30-36"	18-30"	12"
WR	<ul style="list-style-type: none"> *Standard 3" increments *Lattice is notched and fitted *Made with hardwood veneer interior *Wine rack lattice is not available in Textured Laminate 		
Example: WR2430			

Wall Pull-Out Spice Rack

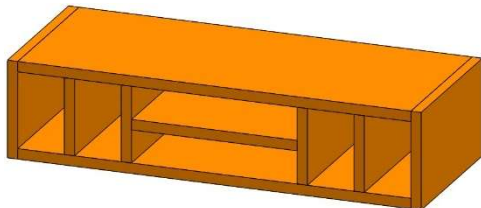
Frame and Euro



Code	Minimum-Maximum		
	Width	Height	Depth
	3 & 6"	30-42"	12"
WPSR	<ul style="list-style-type: none"> *Standard 3" increments *Comes with standard filler on the face, see Winbid for more face options *Designed to fit between two wall cabinets 		
Example: WPSR330			

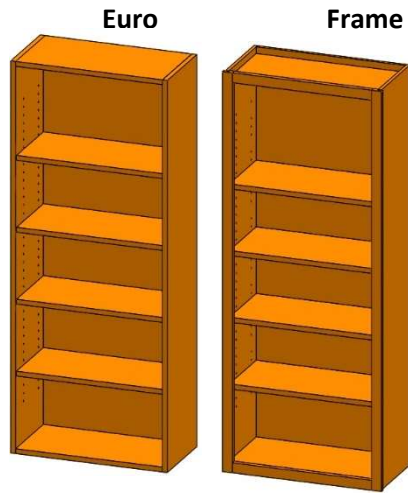
Desk Organizer

Frame and Euro



Code	Minimum-Maximum		
	Width	Height	Depth
	24-48"	7"	11-3/4"
D-ORG	<ul style="list-style-type: none"> *Standard 3" increments *Comes standard in 3/4" Veneer material 		
Example: D-ORG30			

Wall Bookcase



Code	Minimum-Maximum		
	Width	Height	Depth
WBK	12-36"	18-72"	12"
Example: WBK2430	<ul style="list-style-type: none"> * Standard 3" increments * Wall Bookcase cabinets that are taller than 60" have a 1-1/2" center rail * Made with hardwood veneer interior 		

Raised Angle Range Hood



Code	Minimum-Maximum		
	Width	Height	Depth
	30-48"	30-54"	19-3/4"

RHAR

- *Cabinet is 1-1/2" Wider than the product code implies
- *Does not include blower and liner
- *Several Valance Options available, see Range Hood Options below
- *It is recommended to space adjacent cabinets at least 3/4" away from Range Hood
- *Decorative Panels will match chosen door style (Excluding arched doors)

Contemporary Angle Range Hood

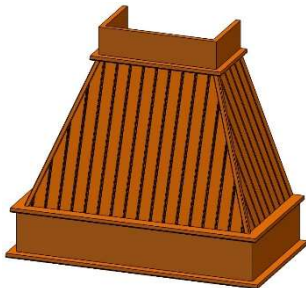


Code	Minimum-Maximum		
	Width	Height	Depth
	30-48"	30-54"	19-3/4"

RHAC

- *Cabinet is 1-1/2" Wider than the product code implies
- *Does not include blower and liner
- *Several Valance Options available, see Range Hood Options below
- *It is recommended to space adjacent cabinets at least 3/4" away from Range Hood

Beaded Angle Range Hood

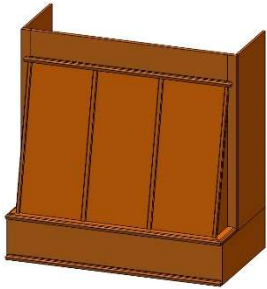


Code	Minimum-Maximum		
	Width	Height	Depth
	30-48"	30-54"	19-3/4"

RHAB

- *Cabinet is 1-1/2" Wider than the product code implies
- *Does not include blower and liner
- *Several Valance Options available, see Range Hood Options below
- *It is recommended to space adjacent cabinets at least 3/4" away from Range Hood

Angle Face Only Range Hood



Code	Minimum-Maximum		
	Width	Height	Depth
RHAF	30-48"	30-54"	19-3/4"

**Does not include blower and liner*
**Several Valance Options available, see Range Hood Options below*
**Adjacent cabinets may be attached to range hood*

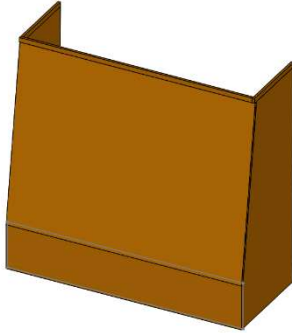
Chimney Style Range Hood



Code	Minimum-Maximum		
	Width	Height	Depth
RHCS	30-48"	30-54"	19-3/4"

**Cabinet is 1-1/2" Wider than the product code implies*
**Does not include blower and liner*
**Several Valance Options available, see Range Hood Options below*
**It is recommended to space adjacent cabinets at least 3/4" away from Range Hood*

Range Hood Slanted Face



Code	Minimum-Maximum		
	Width	Height	Depth
RHSF	30-48"	30-54"	19-3/4"

**Does not include blower and liner*
**Plant on door face available see options*
**Different skirt heights available see options*
**Adjacent cabinets may be attached to range hood*
**Decorative Panels will match chosen door style*

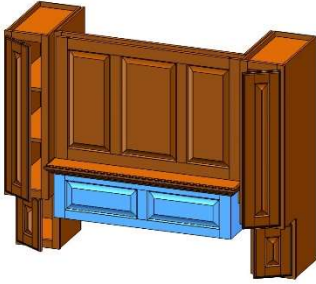
Raised Style Square Range Hood



Code	Minimum-Maximum		
	Width	Height	Depth
RHSR	30-48"	30-54"	20-1/2"

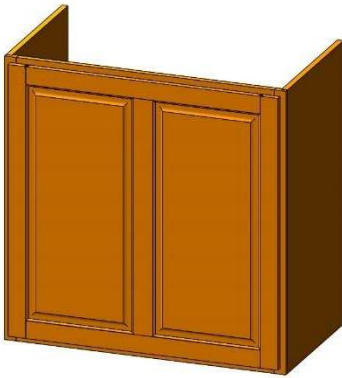
**Cabinet is 3" Wider than the product code implies*
**Does not include blower and liner*
**Cabinet is 20-1/2" deep*
**Several Valance options available, see in Range Hood Only Options*
**Adjacent cabinets may be attached to range hood*
**Decorative Panels will match chosen door style*

Mantle Range Hoods



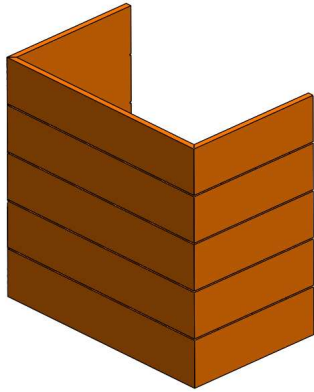
Code	Minimum-Maximum		
	Width	Height	Depth
	51-93"	42-84"	20-1/2"
RHMR	<p>*Does not include blower and liner</p> <p>*Mantel is 20-1/2" deep; sides are 18" deep top and 12" deep bottom</p> <p>*Range Hood is 3" wider than the product code implies</p> <p>*Several Valance options available, see in Range Hood Only Options (Shown with optional 7-piece valance)</p> <p>*Adjacent cabinets may be attached to range hood</p> <p>*Specify FH at end of code for Full Height mantel, they may be ordered to the nearest 1/2" high up to 96"</p> <p>*Decorative Panels will match chosen door style</p>		

Range Hood Square



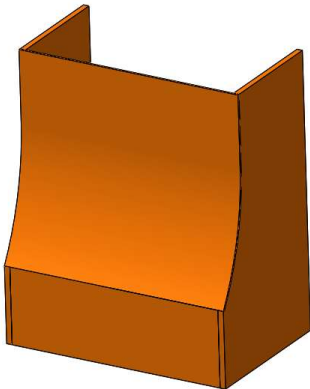
Code	Minimum-Maximum		
	Width	Height	Depth
	30-48"	27-48"	19-3/4"
RHS	<p>*Does not include blower and liner</p> <p>*Adjacent cabinets may be attached to range hood</p> <p>*Decorative Panels will match chosen door style</p>		

Range Hood Box



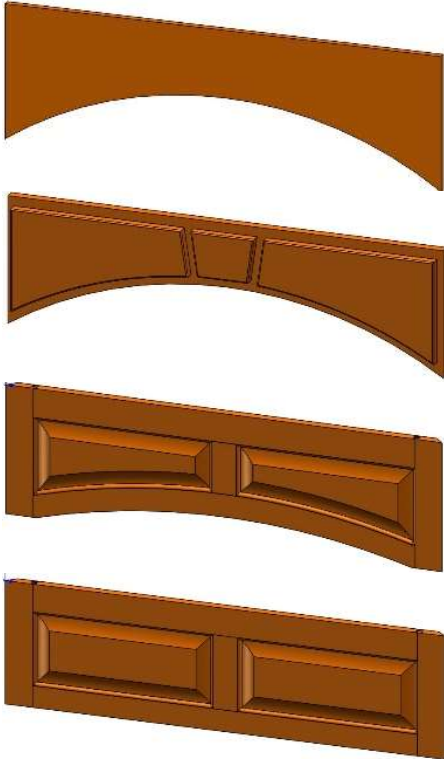
Code	Minimum-Maximum		
	Width	Height	Depth
RHB	30-48"	27-48"	19-3/4"
<p>*Does not include blower and liner</p> <p>*Adjacent cabinets may be attached to range hood</p> <p>*Shown with ShipLap Optional look</p>			

Range Hood Swoop



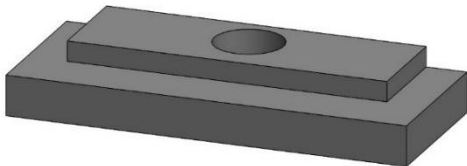
Code	Minimum-Maximum		
	Width	Height	Depth
RHSW	30-48"	27-48"	19-3/4"
<p>*Does not include blower and liner</p> <p>*Adjacent cabinets may be attached to range hood</p>			

Cabinet Valance Options



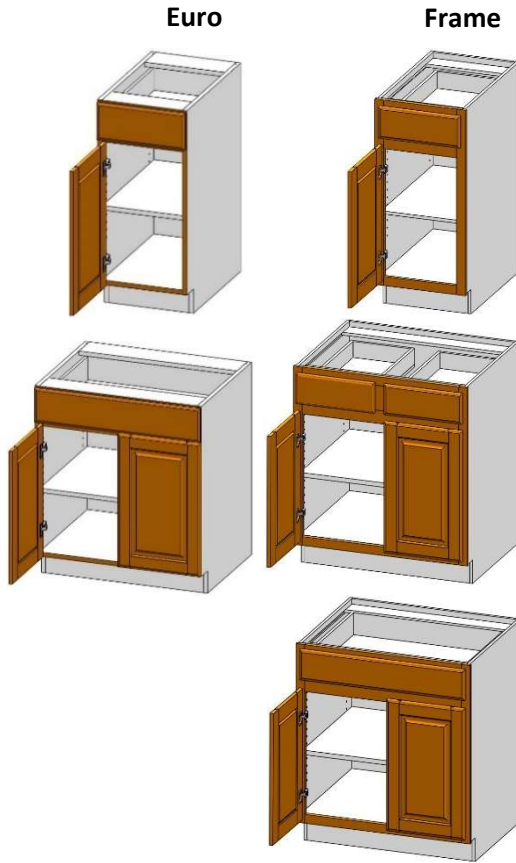
Code	*Some range hood liners will not work with arched valance options.
MAV, DMAV, SPAV, SPSV	

Range Hood Liners & Blowers



- Includes variable control fan with an output of up to 400+ CFM (from 3.5 to 4.6 sones)
- Includes light fixture that uses a 50-watt halogen bulb (bulb not included)
- Top duct is 7" round and has easy install system.
- It has a full bottom coverage with aluminum mesh filters that are dishwasher safe for easy cleaning.
- Fits inside all listed range hoods made by Fashion Cabinet Mfg., Inc.

Base Cabinets

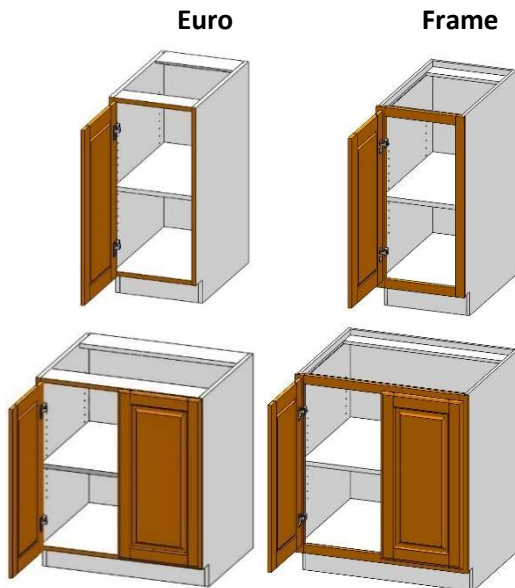


Code	Minimum-Maximum		
	Width	Height	Depth
B	9-48"	34-1/2"	12-24"

Example:
B15L,
B30 &
B30SD

- *Standard widths of 3" increments
- *Specify width first then Right or Left hinge
- *Available in Face Frame, or Frameless Construction
- *Height is standard 34-1/2" but can be modified to desired height
- *Depth is standard 24" deep but can be modified to desired depth
- *Cabinet Width of 27" and higher will be double door
- *Cabinet Width of 24" can be either double or single door
- *Cabinets 30-36" wide can be ordered as a single top drawer (Example: B30SD)
- *Euro Cabinet Construction Width Only Available Up To 36" Wide
- *Cabinets come standard with an adjustable shelf

Base Cabinets FHD (Full Height Door)



Code	Minimum-Maximum		
	Width	Height	Depth
B(FHD)	7-48"	34-1/2"	12-24"

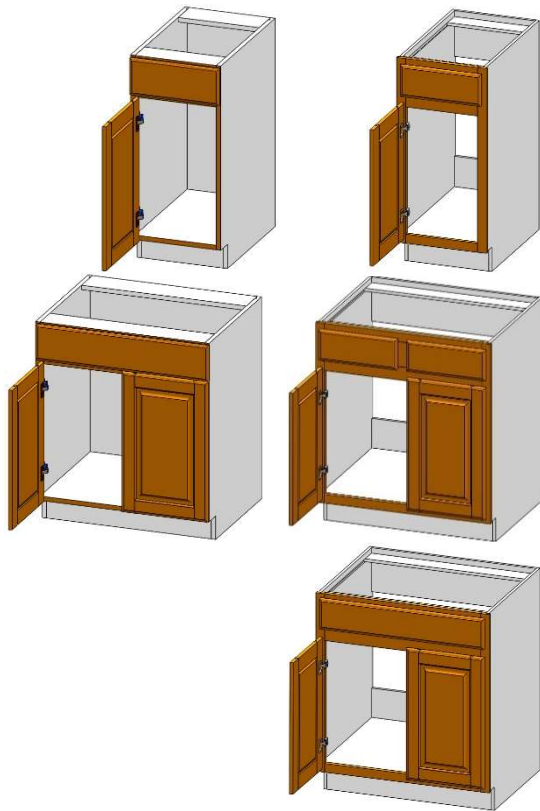
Example:
B15LFHD
&
B30FHD

- *Standard widths of 3" increments
- *Specify width first then Right or Left hinge
- *Available in Face Frame, or Frameless Construction
- *Height is standard 34-1/2" but can be modified to desired height
- *Depth is standard 24" deep but can be modified to desired depth
- *Cabinet Width of 27" and higher will be double door
- *Cabinet Width of 24" can be either double or single door
- *Euro Cabinet Construction Width Only Available Up To 36" Wide
- *Cabinets come standard with an adjustable shelf

Base Sink Cabinets

Euro

Frame



Code	Minimum-Maximum		
	Width	Height	Depth
BS	18-48"	34-1/2"	12-24"

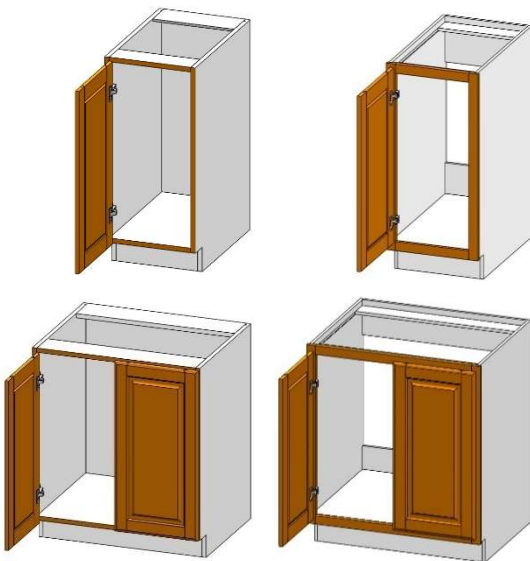
*Standard widths of 3" increments
 *Specify width first then Right or Left hinge
 *Available in Face Frame, or Frameless Construction
 *Height is standard 34-1/2" but can be modified to desired height
 *Depth is standard 24" deep but can be modified to desired depth
 *Cabinet Width of 27" and higher will be double door
 *Cabinet Width of 24" can be either double or single door
 * Base sink in frame construction cabinets do **NOT** Come with a back or adjustable shelf (See Picture)
 *Euro Cabinet Construction Width Only Available Up To 36" Wide and come with a full back

Example:
 BS21L & BS30

Base Sink Cabinets FHD(Full Height Door)

Euro

Frame

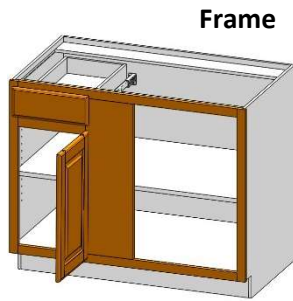


Code	Minimum-Maximum		
	Width	Height	Depth
BS(FHD)	18-48"	34-1/2"	12-24"

*Standard widths of 3" increments
 *Specify width first then Right or Left hinge
 *Available in Face Frame, or Frameless Construction
 *Height is standard 34-1/2" but can be modified to desired height
 *Depth is standard 24" deep but can be modified to desired depth
 *Cabinet Width of 27" and higher will be double door
 *Cabinet Width of 24" can be either double or single door
 * Base sink in frame construction cabinets do **NOT** Come with a back or adjustable shelf (See Picture)
 *Euro Cabinet Construction Width Only Available Up To 36" Wide and come with a full back

Example:
 BS18LFHD & BS30FHD

Base Square Corner

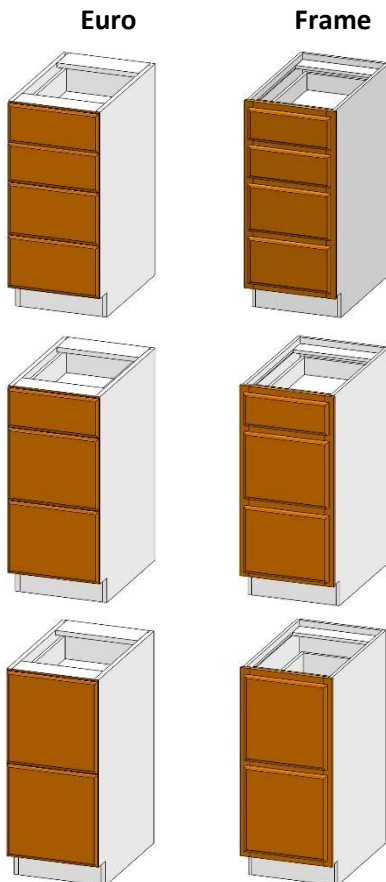


Code	Minimum-Maximum		
	Width	Height	Depth
BSC (FHD)	36-48"	34-1/2"	12-24"

Example: BSC45L, BSC45LFHD

- *Standard widths of 3" increments
- *Specify Right or Left for door placement
- *Available in Face Frame, or Frameless Construction
- *Height is standard 34-1/2" but can be modified to desired height
- *Depth is standard 24" deep but can be modified to desired depth
- *Available in FHD configuration (Example: BSC45LFHD)
- *Euro Construction BSC are only available in FHD configuration
- *Frame Construction available with a solid blind, or Masonite blind
- *Cabinets come standard with an adjustable shelf

Drawer Base

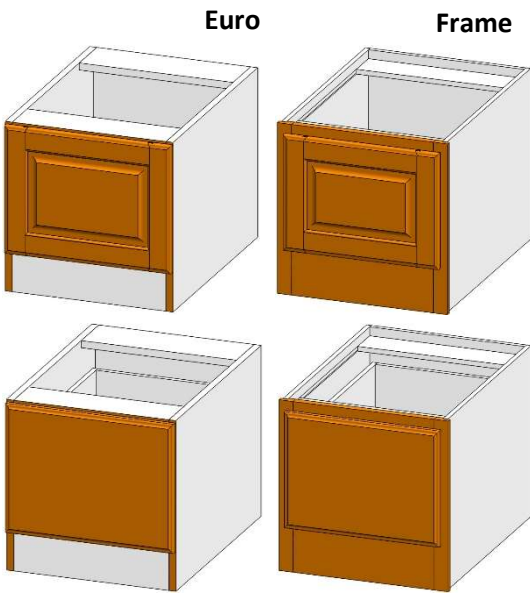


Code	Minimum-Maximum		
	Width	Height	Depth
D	9-36"	34-1/2"	12-24"

Example: D15-4, D15-3, D15-2File

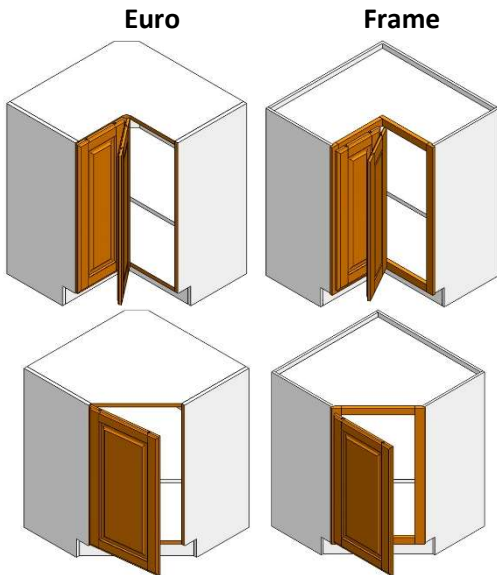
- *Standard 3" increments
- *Height is standard 34-1/2" but can be modified to desired height
- *Available in Face Frame, or Frameless Construction
- *The -# at the end of the code represents the number of drawers
- *File drawers only available in select heights

Window Seat



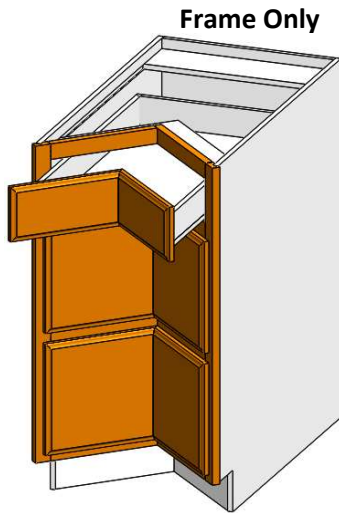
Code	Minimum-Maximum		
	Width	Height	Depth
BWS/DWS	18-36"	18"	12-24"
Example: BWS18, DWS18-1	<ul style="list-style-type: none"> *Standard 3" increments *Height is standard 18" but can be modified to desired height *Available in Face Frame, or Frameless Construction *Window seats ordered larger than 24" wide will be double door *Window Seats come with a flush toe (NRTK) 		

Lazy Susan



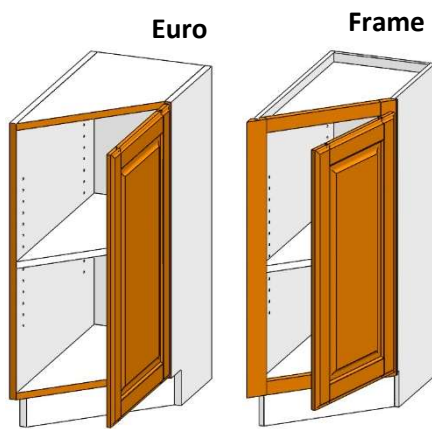
Code	Minimum-Maximum		
	Width	Height	Depth
LS	33,36"	34-1/2"	24"
Example: LS36L 90 Deg LS36L Diag	<ul style="list-style-type: none"> *Height is standard 34-1/2" but can be modified to desired height *Available in Face Frame, or Frameless Construction *Comes standard with lazy susan turn trays (Shown with optional adjustable shelf) *Choose left or right hinge *Cabinet box is smaller than the width indicates (See Spec sheet) *LS-LG are available to order contact Fashion Cabinet Mfg. Inc. for more details 		

Lazy Susan Drawer



Code	Minimum-Maximum		
	Width	Height	Depth
LSD	18-1/32"	34-1/2"	32-17/32"
<p>* Cabinet is designed to replace a LS36 * Only available in 3 drawer configurations</p>			
<p>Example: LSD36-3</p>			

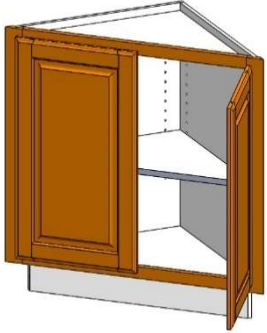
Base Angle



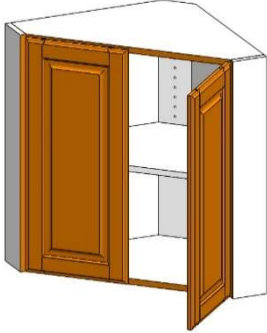
Code	Minimum-Maximum		
	Width	Height	Depth
BA	9,12" Euro width varies	34-1/2"	Varies on Width
<p>* Height is standard 34-1/2" but can be modified to desired height * Available in Face Frame, or Frameless Construction * Contact Fashion Cabinet Mfg. Inc. for more details</p>			
<p>Example: BA12R 12/24</p>			

Base Angle Cabinet

Frame



Euro



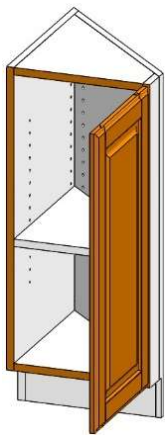
Code	Minimum-Maximum		
	Width	Height	Depth
BAC	12-24"	34-1/2"	12-24"

*Height is standard 34-1/2" but can be modified to desired height
 *Available in Face Frame, or Frameless Construction
 *Contact Fashion Cabinet Mfg. Inc. for more details
 3/4" panels required to finished ends on euro BAC

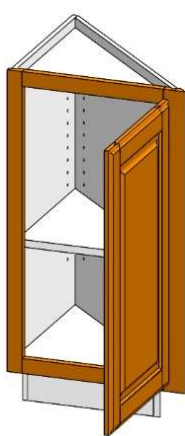
Example:
 BAC12
 BAC24

Base Angle End

Euro



Frame



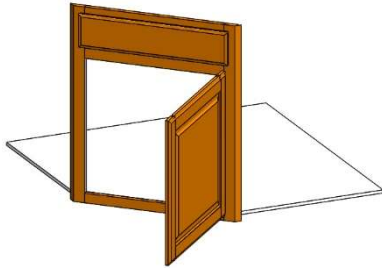
Code	Minimum-Maximum		
	Width	Height	Depth
BAE	12-24"	34-1/2"	12-24"

*Standard 3" increments
 *Available in Face Frame, or Frameless Construction
 *Base Angle End cabinets come standard with 3/4" adjustable shelves
 *Euro BAE are 3-1/2" shorter than specified width and require a 3-1/2" filler

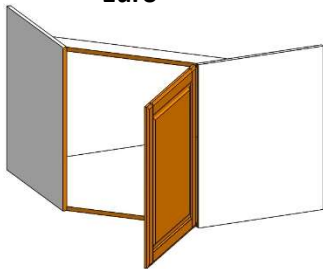
Example:
 BAE18R

Sink Front Diagonal

Frame



Euro



Code

SFD

Example:
SFD42R
SFD42RFHD

Minimum-Maximum		
Width	Height	Depth
36-42"	34-1/2"	24"

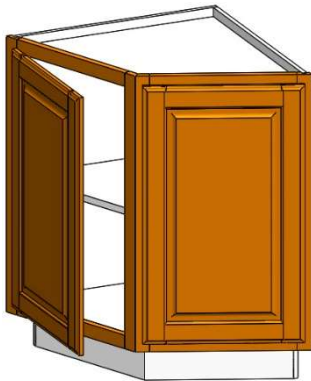
*Height is standard 34-1/2" but can be modified to desired height

*Available in Face Frame, or Frameless Construction

***Frameless Sink Front Diagonal cabinets come knock down**

Base Double Angle

Frame Only



Code

BDA

Example:
BDA24

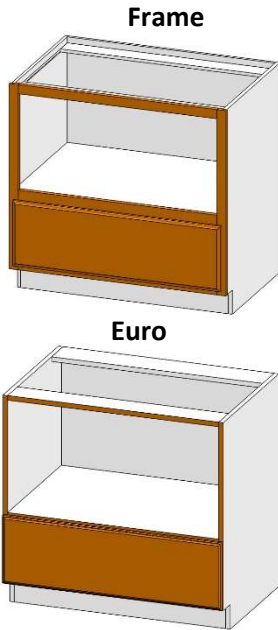
Minimum-Maximum		
Width	Height	Depth
12-24"	34-1/2"	12-24"

*Height is standard 34-1/2" but can be modified to desired height

*Available in Face Frame Construction Only

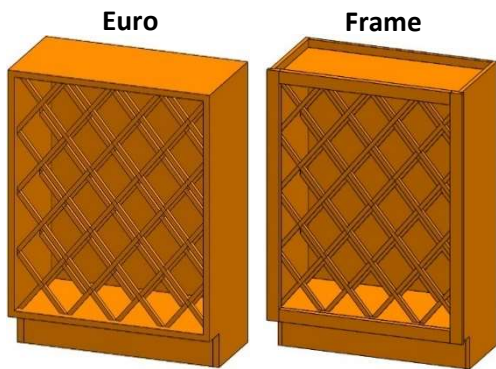
***Contact Fashion Cabinet Mfg. Inc. for more details**

Under Counter Cabinet For Appliances



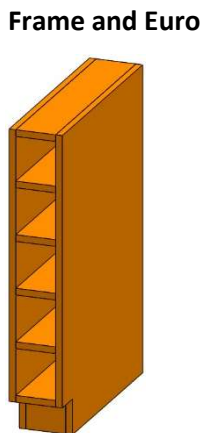
Code	Minimum-Maximum		
	Width	Height	Depth
UCA	24-36"	34-1/2"	24"
<p>Example: UCA36 UCA36-D UCA36-Doors</p>			
<p>*Standard 3" increments *Height is standard 34-1/2" but can be modified to desired height *Available in Face Frame, or Frameless Construction *Maximum opening width is 2" less than cabinet width for Face Frame & 1-1/2" less for Frameless *Cabinet Width of 27" and higher will be double door *Cabinet Width of 24" can be either double or single door</p>			

Base Wine Rack



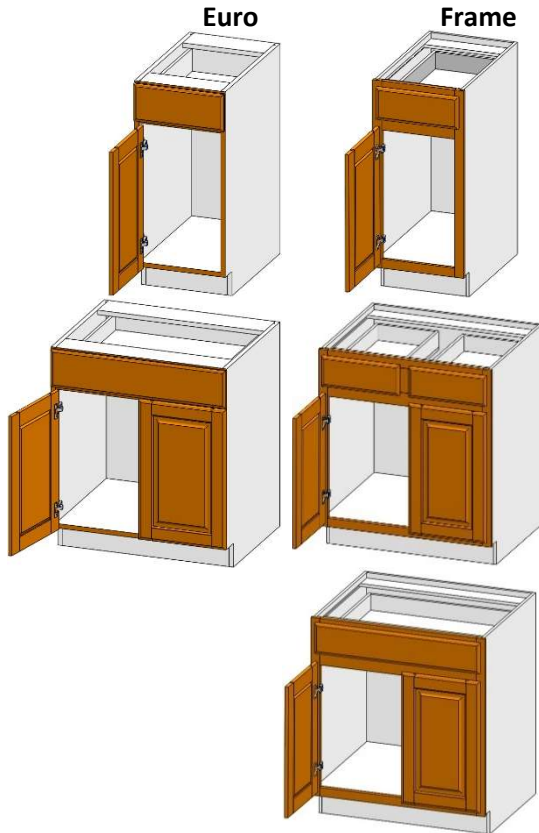
Code	Minimum-Maximum		
	Width	Height	Depth
BWR	18,24"	34-1/2"	24"
<p>Example: BWR24</p>			
<p>*Standard 3" increments *Height is standard 34-1/2" but can be modified to desired height *Lattice is notched and fitted *Made with hardwood veneer interior</p>			

Base Wine Rack Stack



Code	Minimum-Maximum		
	Width	Height	Depth
BWRS	6"	34-1/2"	24"
<p>Example: BWRS6-5</p>			
<p>*Height is standard 34-1/2" but can be modified to desired height *Cabinet is constructed with 3/4" hardwood veneer *Cabinet Requires a 3/4" panel for exposed ends *Available to order as a wall cabinet. (Example Code: WWRS630-5)</p>			

Vanity Base



Code

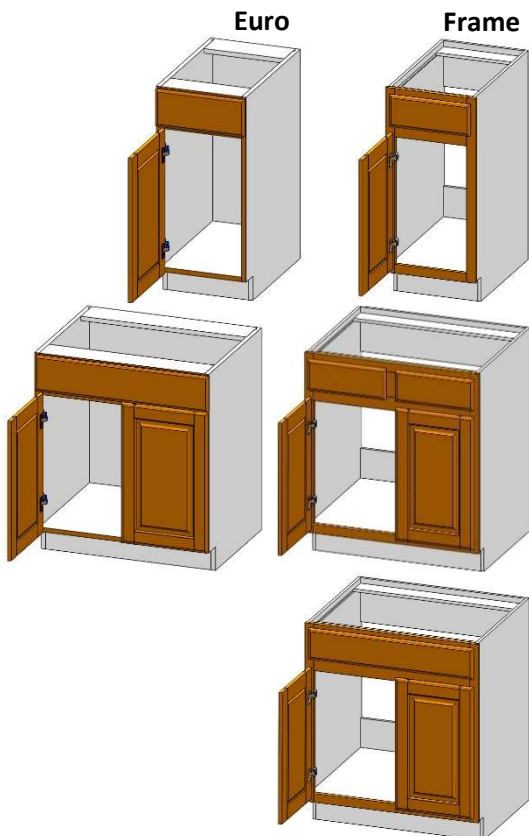
Minimum-Maximum		
Width	Height	Depth
9-48"	31-1/2"	21"

VB

Example:
VB18L
VB30

- *Standard widths of 3" increments
- ***Cabinet does not come standard with an adjustable shelf**
- *Specify width first then Right or Left hinge.
- *Available in Face Frame, or Frameless Construction
- *Height is standard 31-1/2" but can be modified to desired height.
- *Depth is standard 21" deep but can be modified to desired depth
- *Cabinet Width of 27" and higher will be double door
- *Cabinet Width of 24" can be either double or single door
- *Cabinets 30-36" wide can be ordered as a single top drawer (Example: VB30SD)
- *Euro Cabinet Construction Width Only Available Up To 36" Wide

Vanity Sink



Code

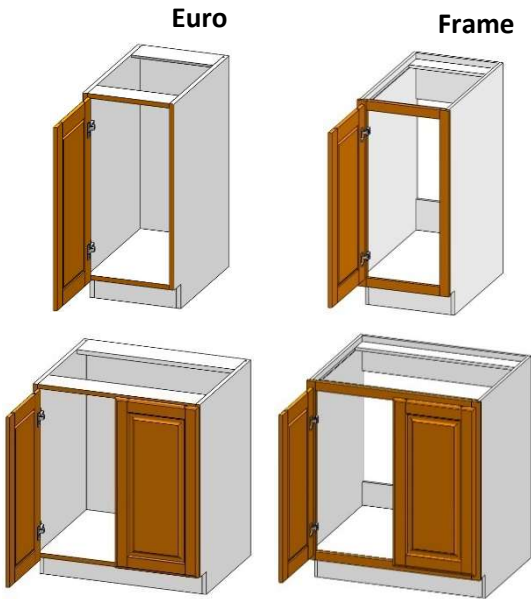
Minimum-Maximum		
Width	Height	Depth
9-48"	31-1/2"	21"

VS

Example:
VS18L
VS30

- *Standard widths of 3" increments
- ***Cabinet does not come standard with an adjustable shelf and does not have a full back**
- *Specify width first then Right or Left hinge
- *Available in Face Frame, or Frameless Construction
- *Height is standard 31-1/2" but can be modified to desired height
- *Depth is standard 21" deep but can be modified to desired depth
- *Cabinet Width of 27" and higher will be double door
- *Cabinet Width of 24" can be either double or single door
- *Base sink in frame construction cabinets do **NOT** Come with a back or adjustable shelf (See Picture)
- *Euro Cabinet Construction Width Only Available Up To 36" Wide and come with a full back

Vanity Sink Full Height Door

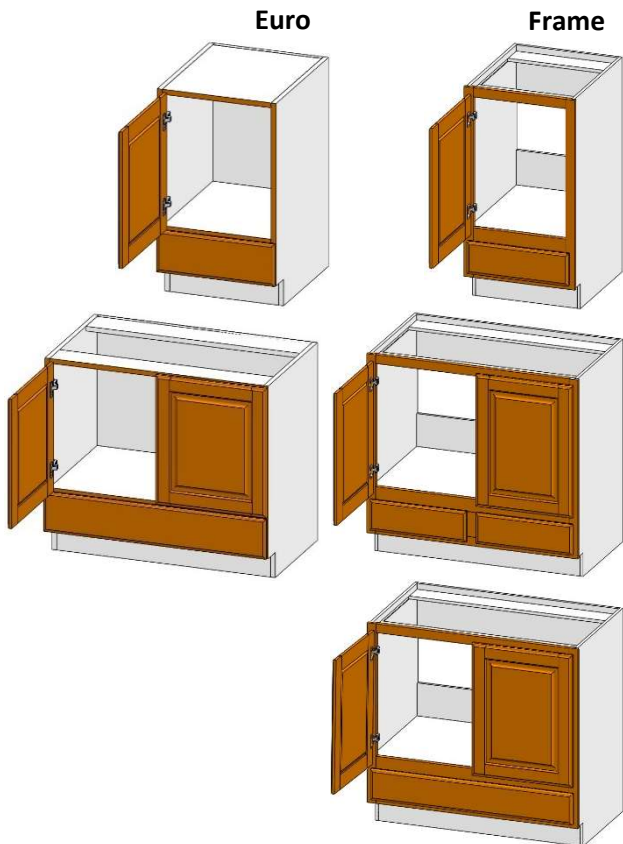


Code	Minimum-Maximum		
	Width	Height	Depth
VS(FHD)	9-48"	31-1/2"	21"

Example:
VS18RFHD
VS30FHD

- *Standard widths of 3" increments
- *Cabinet does not come standard with an adjustable shelf and does not have a full back
- *Specify width first then Right or Left hinge
- *Available in Face Frame, or Frameless Construction
- *Height is standard 31-1/2" but can be modified to desired height
- *Depth is standard 21" deep but can be modified to desired depth
- *Cabinet Width of 27" and higher will be double door
- *Cabinet Width of 24" can be either double or single door
- *Base sink in frame construction cabinets do NOT Come with a back or adjustable shelf (See Picture)
- *Euro Cabinet Construction Width Only Available Up To 36" Wide and come with a full back

Inverted Vanity Sink

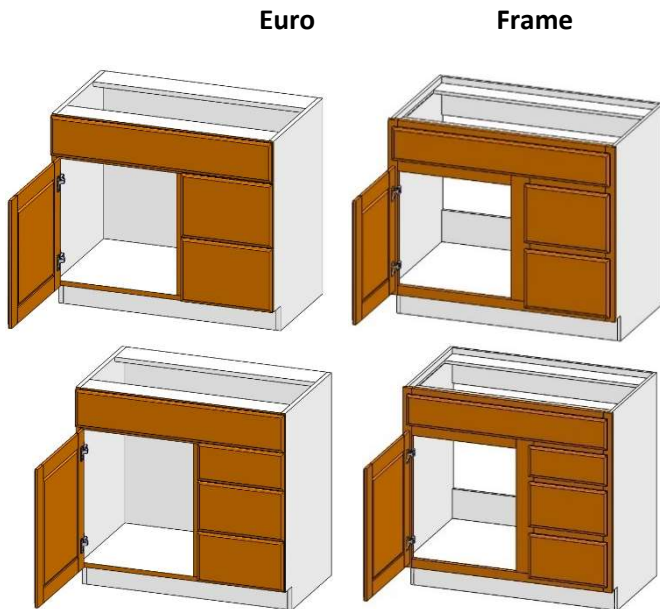


Code	Minimum-Maximum		
	Width	Height	Depth
IVS	9-48"	31-1/2"	21"

Example:
IVS18R
IVS30

- *Standard widths of 3" increments
- *Cabinet does not come standard with an adjustable shelf and does not have a full back
- *Specify width first then Right or Left hinge
- *Available in Face Frame, or Frameless Construction
- *Height is standard 31-1/2" but can be modified to desired height
- *Depth is standard 21" deep but can be modified to desired depth
- *Cabinet Width of 27" and higher will be double door
- *Cabinet Width of 24" can be either double or single door
- *Base sink in frame construction cabinets do NOT Come with a back or adjustable shelf (See Picture)
- *Euro Cabinet Construction Width Only Available Up To 36" Wide and come with a full back

Vanity Sink and Drawers



Code

Minimum-Maximum

Width	Height	Depth
24-48"	31-1/2"	21"

VSD

*Height is standard 31-1/2" but can be modified to desired height

*Available in Face Frame, or Frameless Construction

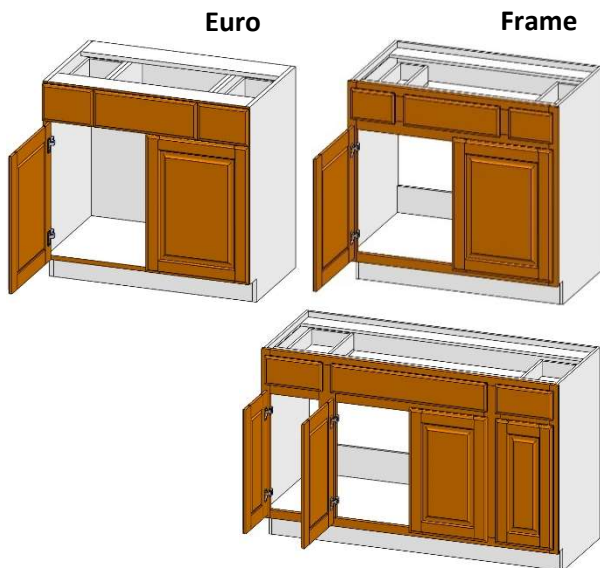
***Cabinet does not come standard with an adjustable shelf and does not have a full back**

Example:
VSD36R

*Specify L or R and it will determine the side that the **DRAWERS** are on (Picture example shows VSD36R)

*See Spec sheet for cabinet openings

Vanity Combination



Code

Minimum-Maximum

Width	Height	Depth
33-60"	31-1/2"	21"

VC

*Height is standard 31-1/2" but can be modified to desired height

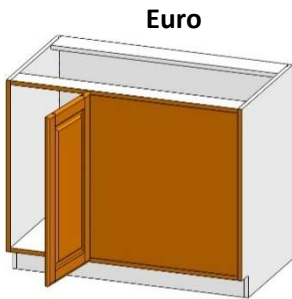
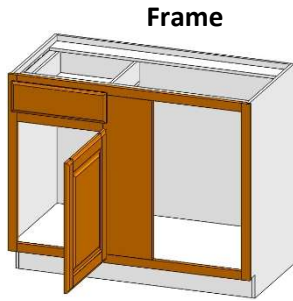
*Available in Face Frame, or Frameless Construction

***Cabinet does not come standard with an adjustable shelf and does not have a full back**

Example:
VC36

*See Spec sheet for cabinet openings

Vanity Square Corner

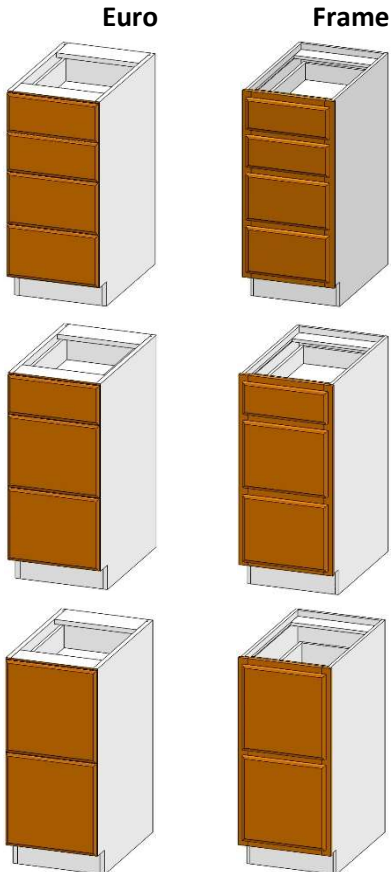


Code	Minimum-Maximum		
	Width	Height	Depth
VSC	36-60"	31-1/2"	21"

*Standard widths of 3" increments
 * Specify Right or Left for door placement
 * Available in Face Frame, or Frameless Construction
 *Height is standard 31-1/2" but can be modified to desired height
 *Depth is standard 21" deep but can be modified to desired depth
 *Available in FHD configuration (Example: VSC45LFHD)
 *Euro Construction VSC are only available in FHD configuration
 *Frame Construction available with a solid blind, or Masonite blind

Example: VSC45L

Vanity Drawer



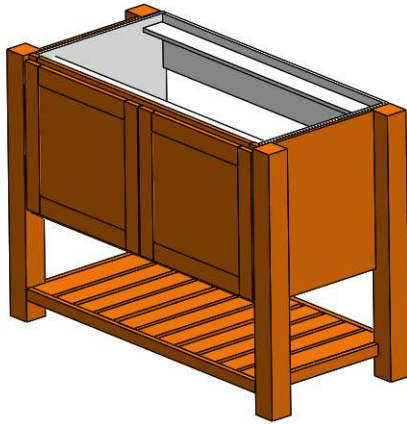
Code	Minimum-Maximum		
	Width	Height	Depth
VD	9-36"	31-1/2"	21"

*Standard 3" increments
 *Height is standard 31-1/2" but can be modified to desired height
 *Available in Face Frame, or Frameless Construction
 *The #-# at the end of the code represents the number of drawers
 *File drawers only available in select heights

Example: VD24-3

Vanity Cabinets

Vanity Accent Sink



Code	Minimum-Maximum		
	Width	Height	Depth
VAS	24-72"	34-1/2"	21"
	* Available with Solid Floor or Slats		
	* Available with Veneer sides or Turn Posts		
Example: VAS48			

Vanity Accent Sink with Drawer

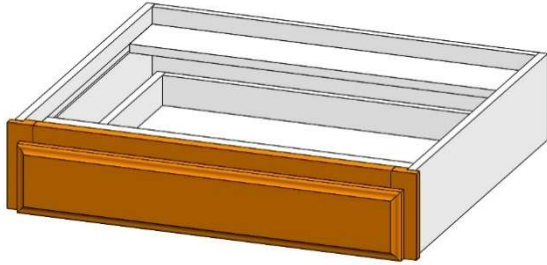


Code	Minimum-Maximum		
	Width	Height	Depth
VASD	36-72"	34-1/2"	21"
	* Available with Solid Floor or Slats		
	* Available with Veneer sides or Turn Posts		
Example: VASD48			

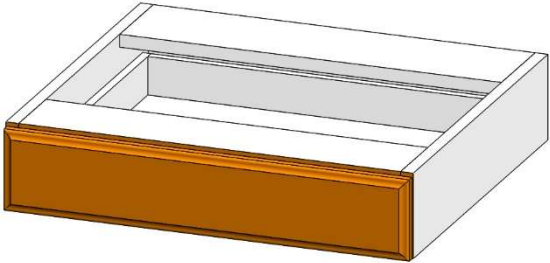
216907

Standard Top Drawer

Frame



Euro



Code

Minimum-Maximum

STD

Width	Height	Depth
21-48"	5"	24"

* Height is standard 5" but can be modified to desired height

* Available in Face Frame, or Frameless Construction

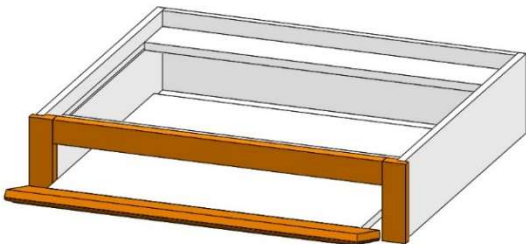
* **Cabinet does not come with a bottom rail**

Example:
STD24

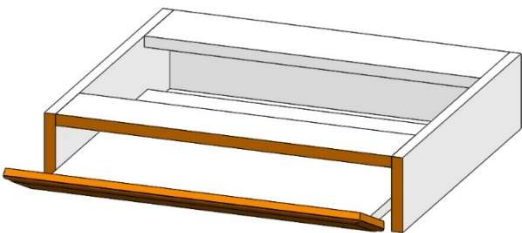
Only available up to 36" wide in Euro construction

Keyboard Tray

Frame



Euro



Code

Minimum-Maximum

KT

Width	Height	Depth
21-48"	5"	24"

* Height is standard 5" but can be modified to desired height

* Available in Face Frame, or Frameless Construction

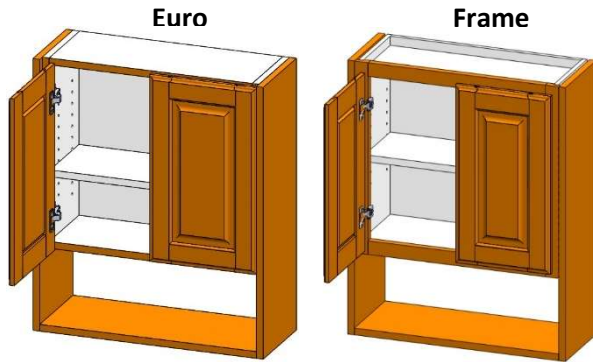
* **Cabinet does not come with a bottom rail**

Example:
KT24

* **Not available in soft close**

* **Keyboard Tray cabinets have a pull-out shelf with a flip down front attached**

Over the John Cabinet

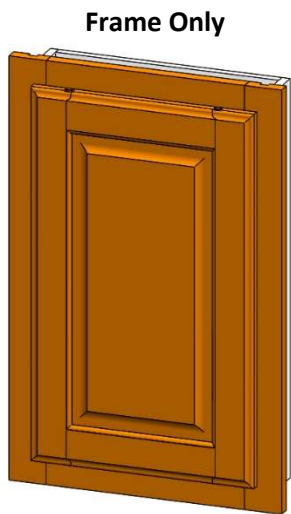


Code	Minimum-Maximum		
	Width	Height	Depth
OJ	24"	30"	9"

* Available in Face Frame, or Frameless Construction
 * **No back in open shelf area**
 * Over the John cabinet comes standard with 3/4" Adjustable shelf
 * Open shelf made from 3/4" Hardwood Veneer

Example: **OJ2430**

Medicine Cabinet

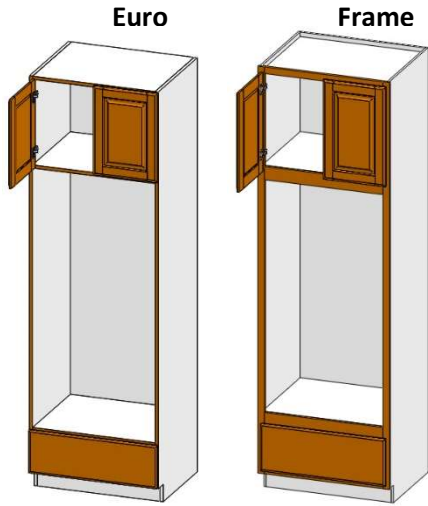


Code	Minimum-Maximum		
	Width	Height	Depth
MC	16-1"	25-1/2"	4-1/4"

* Available in Face Frame
 * Specify Right or Left Hinge
 * Rough in opening is 14-1/4" wide, 24" high, 3-1/2" deep
 * Recessed into the wall with extra scribe casing

Example: **MC16-1/2X25-1/2**

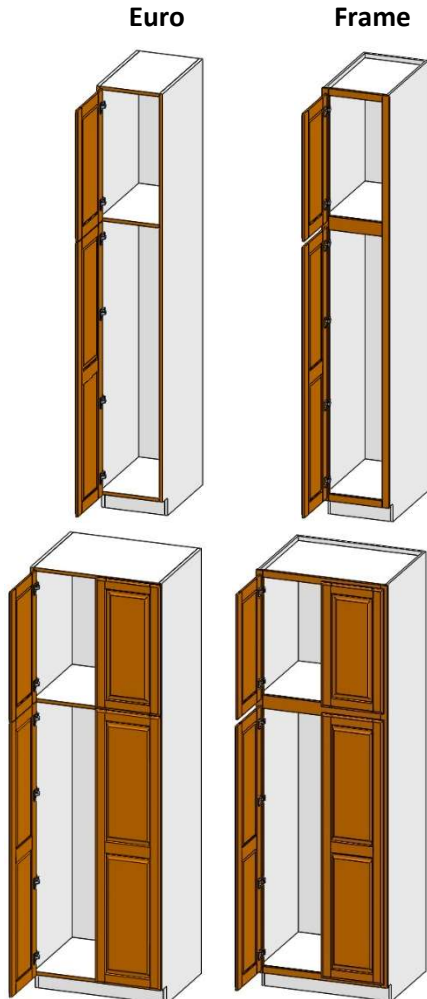
Oven Cabinets



Code	Minimum-Maximum		
	Width	Height	Depth
OC	24-36"	84-96"	24"

Example: **OC3096X24**
 *Standard 3" increments
 *Available in Face Frame, or Frameless Construction
 *Oven cabinets are custom per order
 *Oven Cabinets are available in different configurations.
***Specify configuration when ordering and confirm sketch with factory**
**Oven cutout may not exceed 1/2" per side. (Frame Only)*

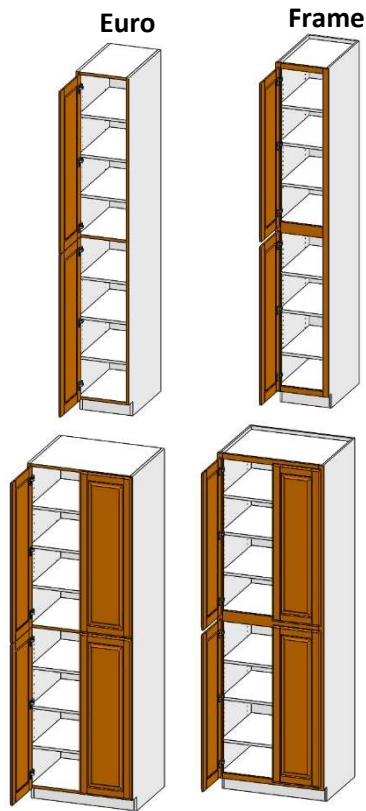
Broom Closet



Code	Minimum-Maximum		
	Width	Height	Depth
BC	9-36"	84-96"	12-24"

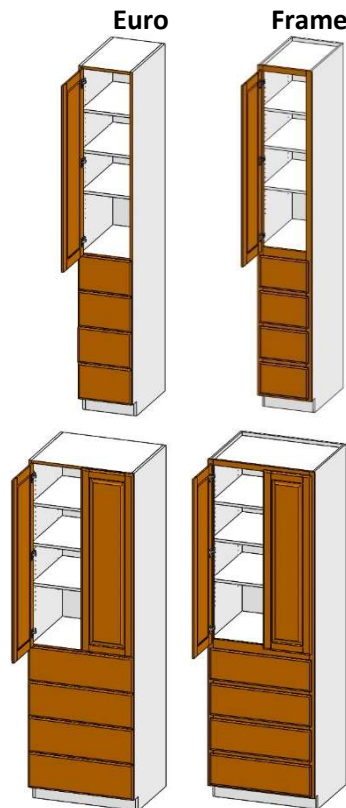
Example: **BC1596LX24**
BC3096X24
 *Standard 3" increments
 *Available in Face Frame, or Frameless Construction
***Available to order with 3/4" Adjustable Shelves**

Linen Closet



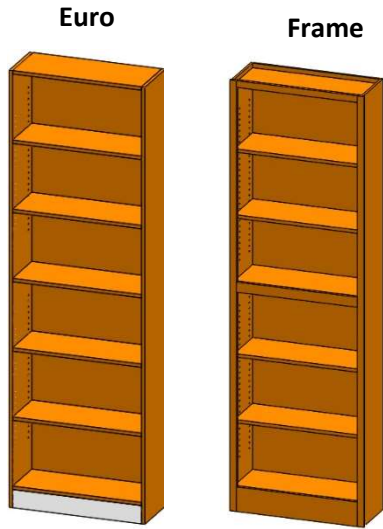
Code	Minimum-Maximum		
	Width	Height	Depth
LC	9-36"	84-96"	24"
<p>*Standard 3" increments *Available in Face Frame, or Frameless Construction *Linen Closets come standard 3/4" Adjustable Shelves</p>			
<p>Example: LC1596LX24 LC3096X24</p>			

Linen Closet with Drawers



Code	Minimum-Maximum		
	Width	Height	Depth
LCD	12-36"	84-96"	24"
<p>*Standard 3" increments *Available in Face Frame, or Frameless Construction *Linen Closet with Drawers come standard 3/4" Adjustable Shelves</p>			
<p>Example: LCD1596LX24 LCD3096X24</p>			

Bookcase Cabinet



Code	Minimum-Maximum		
	Width	Height	Depth
BK	12-36"	84-96"	12"

Example: **BK3096X12**
 *Standard 3" increments
 *Available in Face Frame, or Frameless Construction
 ***Bookcase cabinets come standard 3/4" Adjustable Shelves**
 *Made with hardwood veneer interior
 *Bookcase Cabinets come standard with NRTK (Non recessed Toe Kick)

Standard Overlay 3/4" with Standard Doors



Standard Overlay 3/4" with Butt Doors & Fronts



- Butt Doors removes the face frame center stile on cabinet widths up to 39" wide.

Full Overlay 1-1/4" with Standard Doors



Full Overlay 1-1/4" with Butt Doors & Fronts



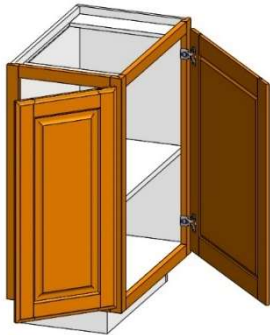
- Butt Doors removes the face frame center stile on cabinet widths up to 39" wide.

Face Frame & Doors



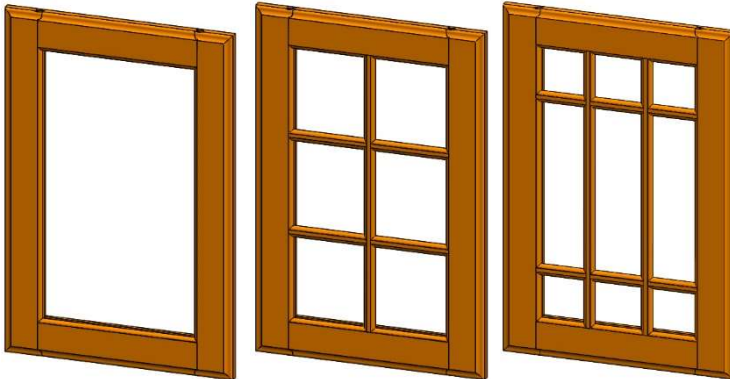
- Face Frame & Doors only are sent with square frame stiles. (Example: B30 face frame & doors)

Operating Face Frame & Door Left or Right Side



- Added face frame doors are hinged at the back of the cabinet.
- Order as "Pass Through" option for face frame and door located at the back.
- Added face frame doors are same frame configuration as face of cabinet.
- (B15RFHD with Operating Face Frame & Door Right Side Shown).

Door Cut For Glass Options



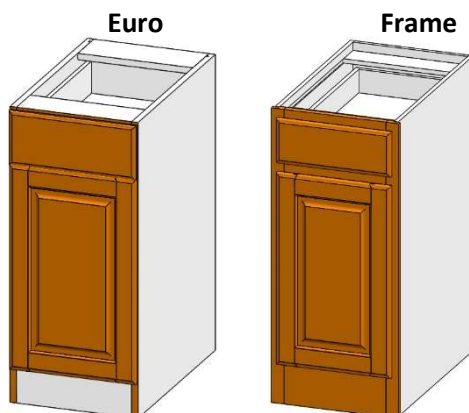
- Order from left to right: Cut for Glass, Cut for Glass with Window Slats, Cut for Glass with Prairie Slats.
- Rear side of doors are routed to accept rectangular cut glass door inserts.
- Window slats and prairie slats are not available on doors with 1/8" inside details.
- **GLASS NOT INCLUDED**

Extra Scribe on Cabinets



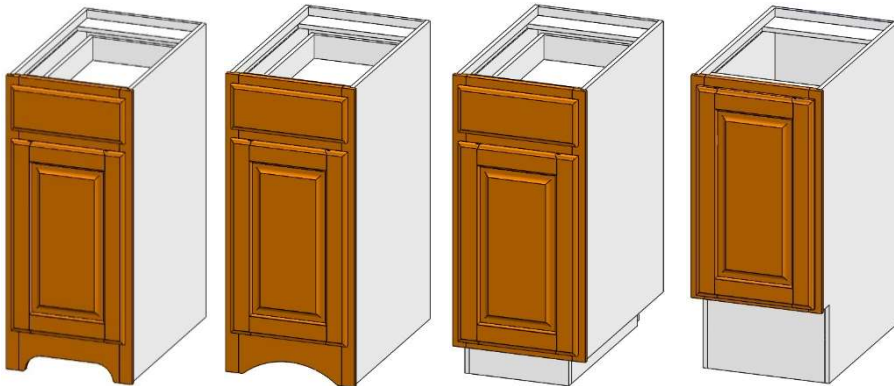
- Extra scribe options are typically for cabinets installed in a wall opening.
- Extra scribe may also be ordered in place of fillers.
- Standard extra scribe is 1-1/2" (custom sizes available).
- Extra Scribe Available on most cabinets.

None-Recessed Toe Kick



- Non-Recessed Toe Kick is available on most base, utility, and vanity cabinets.

Toe Kick Options



Flush Decorative
Valance Toe Kick

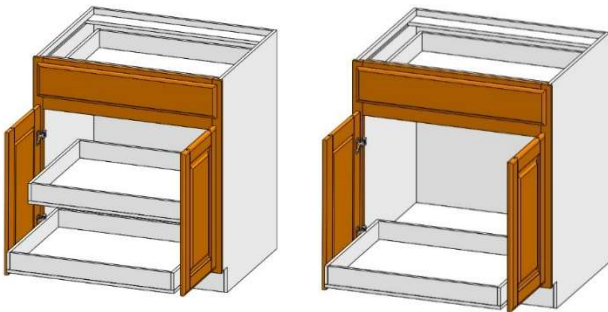
Flush Mission Arch
Valance Toe Kick

Recessed Toe Front
and Right

High Toe Kick

- All toe options are available on most cabinets with a toe kick.
- Valance options available to order recessed instead of flush.
- Recessed toe may be selected on any desired side. (Front, back, left, right)
- High Toe Kicks are 9" tall and 6" deep.

Roll Out Trays



- **Roll Out Trays are available in most Base and Utility cabinets.**
- Cabinets 39" wide and wider will have a roll out tray on each side of the center stile.
- Roll Out Trays are available to order as Fixed or Adjustable.
- **Adjustable Roll Out Trays are only available in TFSC**
- Select number of roll out trays per cabinet when ordering.
- Roll Out Trays are constructed the same as cabinet drawer boxes and are 3-1/4" Tall standard.

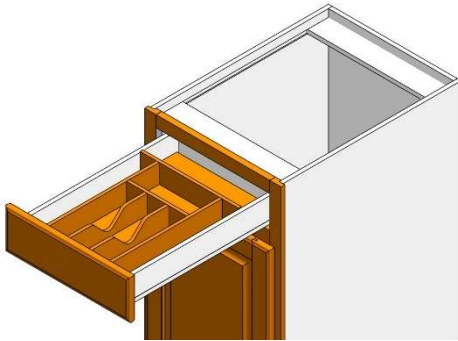
Tilt Out Trays



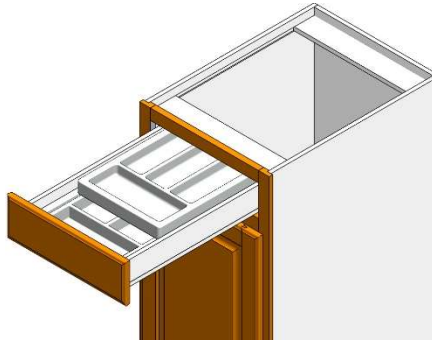
- Tilt Out Trays are available to order on sink cabinets.
- Tilt Out Trays may not fill the entire opening width.
- Includes concealed hinge system attached to the drawer front.

Drawer Inserts

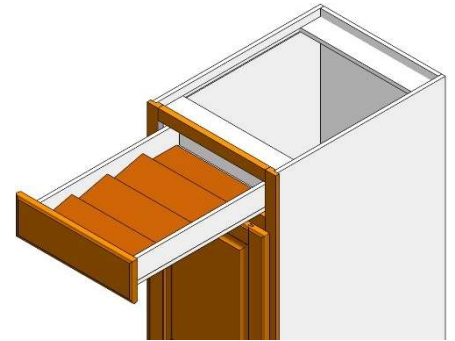
Wood Cutlery Tray



2 Tier Cutlery Tray



Drawer Spice Rack



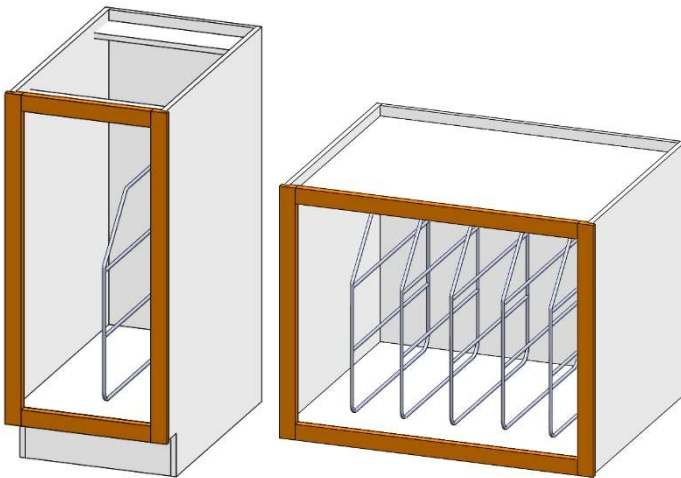
- Wood Cutlery Tray is available in cabinets 15-24" wide.
- 2 Tier Cutlery Tray is available in the top drawer or second drawer of 4 drawer units
- Drawer Spice Rack is available in drawers 15" to 24" wide. Available in wood or plastic.
- Pull Out Ironing Board is available in 18" and 21" wide cabinets.

Decorative Drawer Fronts



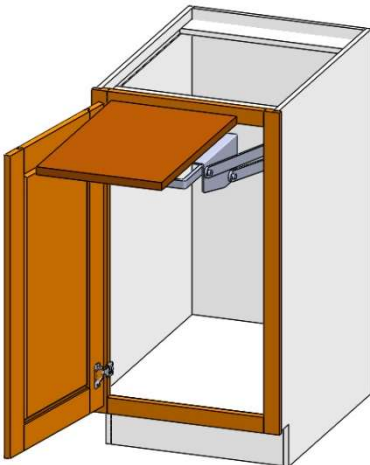
- Select decorative drawer fronts in your style group (raised panel shown).
- **TOP DRAWER FRONTS ARE FLAT PANEL ONLY.**
- Bottom and top rails of most decorative drawer fronts are reduced in size to accommodate the center panel.

Tray Dividers



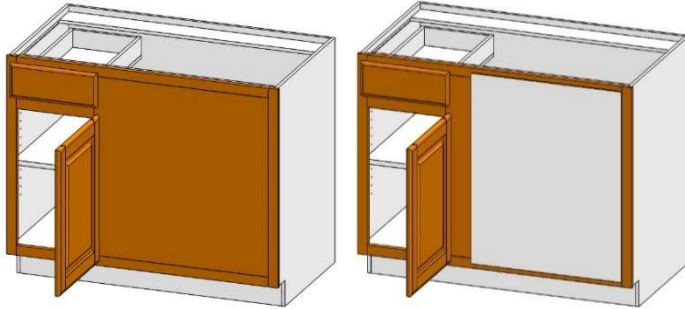
- Tray dividers are available in Base cabinets 9-24" Wide as well as select Wall and Broom Closet sizes.
- The cabinet width will determine the number of dividers in the cabinet.
- Dividers are constructed from chrome stainless steel (Rev-a-Shelf).

Swing Up Mixer Shelf



- Available in 15"-24" Wide Base Full Height Door Cabinet.
- Down position of shelf leaves 5" storage height under the shelf.
- Roll out tray modification on cabinet floor is available.
- Shelf is 5-3/8" less than the cabinet width and 20-1/2" deep.

Blind Panels On Square Corner Cabinets

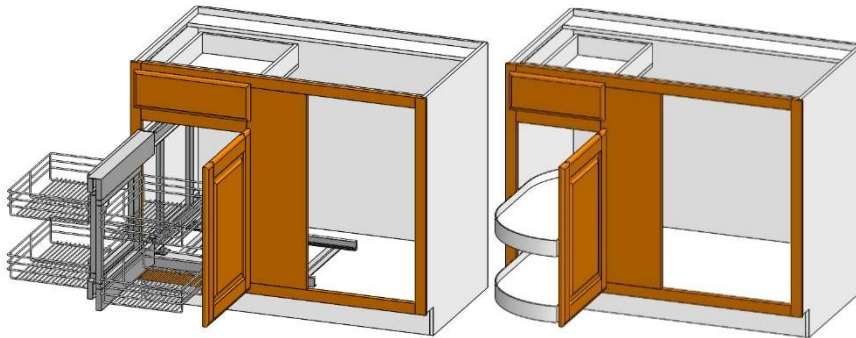


- Blind panels are available with a 1/4" panel or 3/4" solid hardwood.
- Available on Wall Square Corner Cabinets. (Code:WSC)

Blind Square Corner Pull Outs

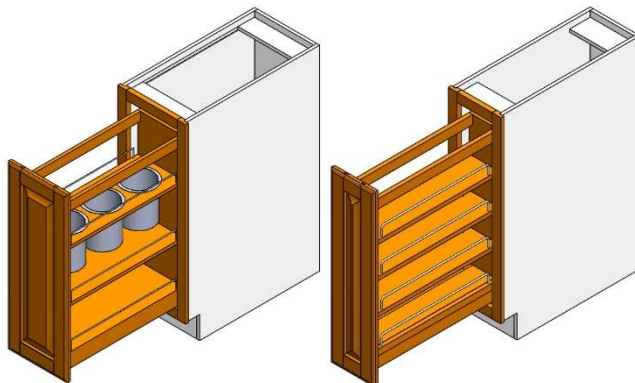
Square Corner Optimizer

Half Moon Lazy Suzan



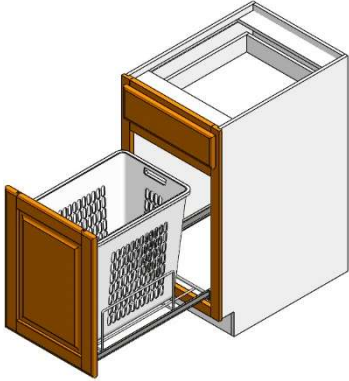
- Blind panels are available in 1/4" melamine or 3/4" solid hardwood.
- Half Moon Lazy Suzan are available in widths 42" and wider.
- Square Corner Optimizer is available in widths 45" and wider.

Pull Out Shelf Organizer/Utensil Pull Out



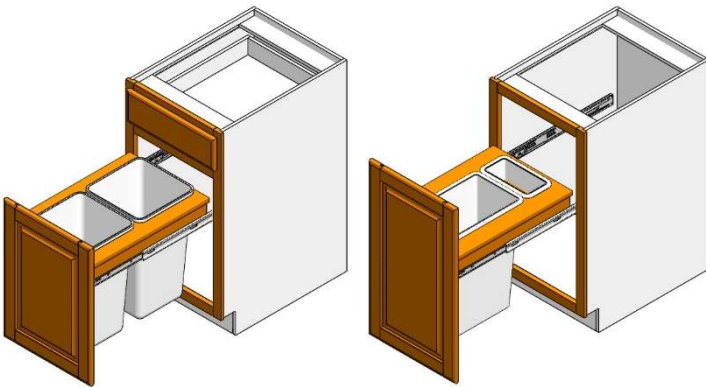
- Available in a base full height door cabinet 9-18" wide.
- The top 3 shelves of the Pull-Out Shelf Organizer are adjustable.
- Has access from both sides.
- **Pull Out Shelf Organizers are available in select wall cabinets. (See Winbid for wall options)**

Poly Hamper Pull Out



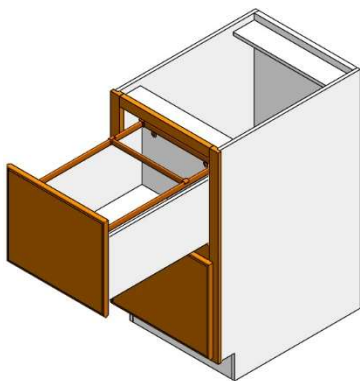
- Available in base and base full height cabinets from 18-21" wide.
- 56-quart poly hamper.

Pull Out Trash



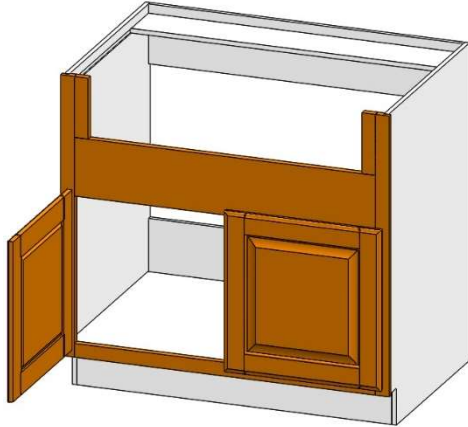
- Available to order in base and base full height cabinets from 15-24" wide.
- Available in 27 quart, single 35 quart, single 50 quart, double 35 quart, and double 50 quart.
- 50 qt only available in base full height cabinets.
- See Winbid for more details on quart size availability per cabinet width.

File Drawer Cabinet



- Does not include folders.
- Available in drawer units 15-24" wide.
- File hardware may not work in certain cabinet heights. (See Factory for details)
- Includes a 5th rail for side-to-side configuration.
- File drawer cabinet 15" wide will only accept side to side configuration.
- All sizes except 18" deep with tandem hardware, will accept legal or letter files facing side to side.
- 18" wide and wider will accept letter files facing forward.
- 21" wide and wider will accept letter or legal files facing forward.

Farm Sink Options



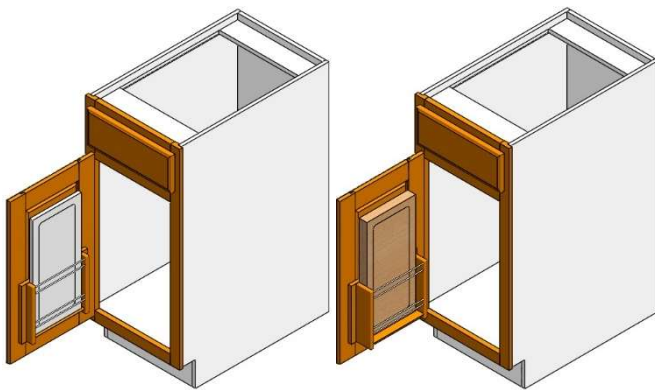
- Available on sink base cabinets 30-48" wide.
- A maximum cutout height of 11-3/4", or 8-3/4" is available to choose from.
- **Sink support will be required during sink installation. Refer to sink manufacture requirements. Be sure to follow manufacturer's specifications to ensure proper sink fit.**

Drip Tray For Sink Cabinet



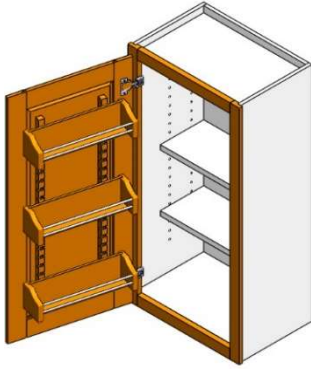
- Drip Tray is removable from cabinet.
- Made to help protect against sink cabinet plumbing leaks.
- Available in sink base cabinets 27-42" wide.

Door Mounted Cutting Board



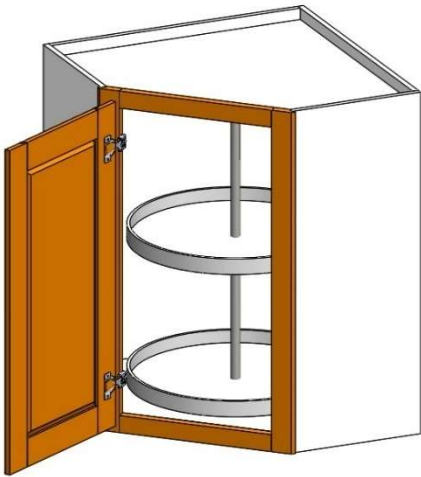
- Includes door mounted rack for storage, and a hardwood maple or a polymer cutting board.
- Available in sink base, and base cabinets 15-18" wide, and from 30-36" Wide.

Door Mounted Wall Spice Rack



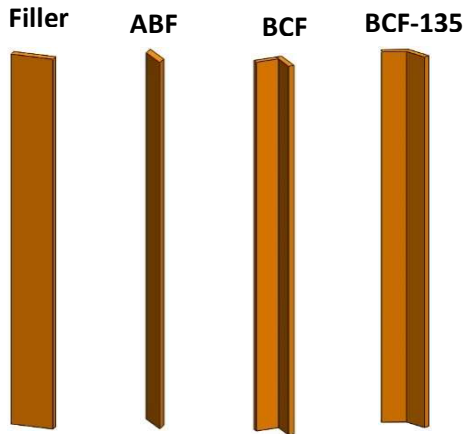
- Spice Racks are available to order with adjustable bins.
- Cabinet shelves are cut back for clearance.
- Available on Wall Cabinets 15-24" Wide.

Turn Table For Wall Corner Cabinets



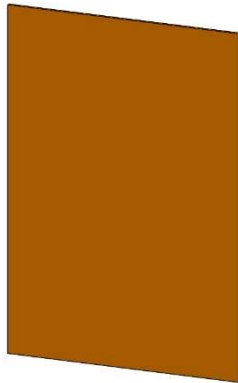
- Available in Wall Corner Cabinets. (Code:WC)
- 24" tall has one turn table, 27"-39" have 2, 42" and taller have 3.

Fillers



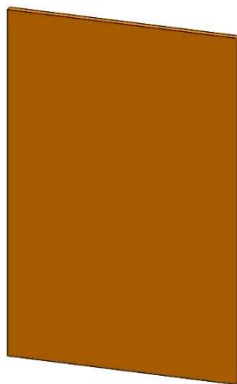
Code	Minimum-Maximum		
	Width	Height	Depth
FILLER, UTILITY FILLER ABF,BCF,WCF	1-12"	9-96"	3/4"
Example: FILLER 6x48 UTILITY FILLER 6X96 BCF3 WCF3X48-135 ABF3	*BCF, and ABF are 30-1/2" high standard *Flute options available for FILLER & UTILITY FILLER		

Veneer Panel 1/4" (5.2MM)



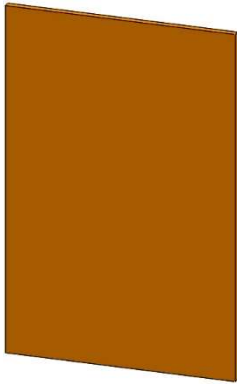
Code	Minimum-Maximum		
	Width	Height	Depth
Veneer Panel 1/4" (5.2MM)	1-48"	9-120"	1/4"
Example: Veneer Panel 1/4X48X96, BE24, WE1236, PP3636, TB8	*Short cuts for standard size panels are listed below *BE=Base end panel *WE=Wall end panel *BCP=Broom closet panel *PP=Peninsula Panel *TB8= Toe Base Skin *V-groove option available on select panels. *See Winbid for size availabilities *Panels ordered taller than 96" are listed with LG (Example:Veneer Panel LG 3/4X24X120)		

Veneer Panel 3/4"



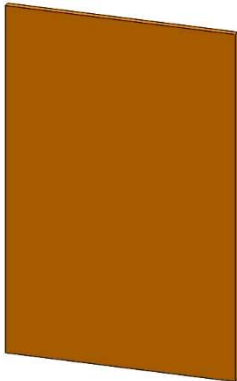
Code	Minimum-Maximum		
	Width	Height	Depth
Veneer Panel 3/4"	1-48"	9-120"	3/4"
Example: Veneer Panel 3/4X48X96	*Short cuts for standard size panels are listed below *RP=Refer Panel *BSP=Base Support Panel *WSP=Wall Support Panel *VSP=Vanity Support Panel (available to order with taper) *V-groove option available on select panels. *See Winbid for size availabilities *Panels ordered taller than 96" are listed with LG (Example:Veneer Panel LG 3/4X24X120)		

Melamine Panel



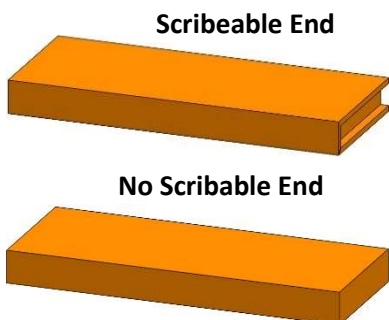
Code	Minimum-Maximum		
	Width	Height	Depth
Melamine Panel 3/4" Melamine Panel 1/2" Melamine Panel 1/4"	1-48"	9-96"	3/4"
Example: Melamine Panel 3/4X48X96	*Melamine Panels can be ordered to desired size *Melamine Panel 1/4" not available with banding		

Furniture Top



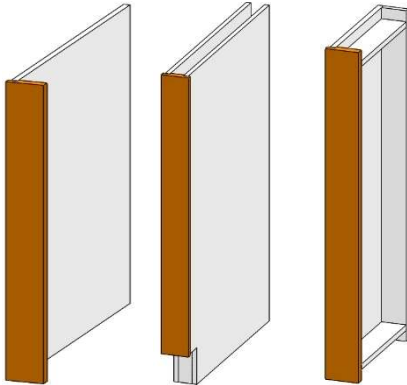
Code	Minimum-Maximum		
	Width	Height	Depth
Furniture Top	1-25"	9-85"	3/4"
Example: Furniture Top 25X85	*Furniture Tops are made with solid hardwood *Available to order with any door edge detail on desired edges		

Floating Shelf



Code	Minimum-Maximum		
	Width	Height	Depth
FS	18-96"	3"	12"
Example: FS30X3X12	*Floating Shelves are only available 12" deep *Floating shelves are constructed with hardwood veneer material *Available with no scribeable ends or with scribeable ends *Ends scribeable up to 3/4"		

End Caps



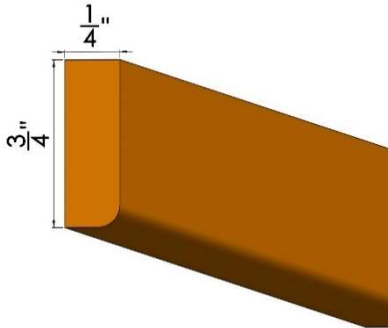
Code	Minimum-Maximum		
	Width	Height	Depth
RE, DE, WEC	1-6"	12-120"	12-24"

Example:
 DE3X34-1/2X24 DS
 DE3X34-1/2 L
 RE3X96X24 DS
 RE3X96X24 L
 WEC36 3 DS
 WEC36 3

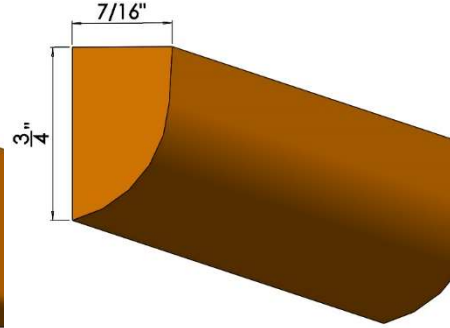
- *RE= Refer End
- *DE=Dishwasher End
- *WEC=Wall End Cap
- *DS=Double Sided
- *Exposed sides will require a finished end

Scribe & Corner Molding

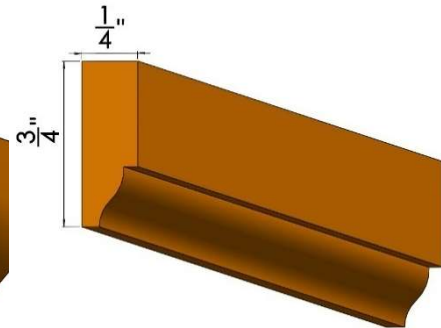
SM130



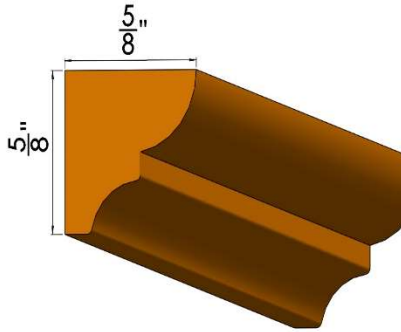
SM127



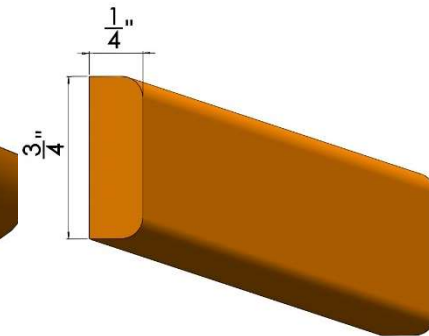
SM510



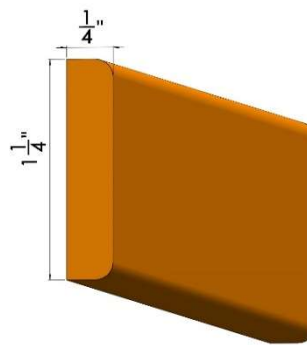
SM417



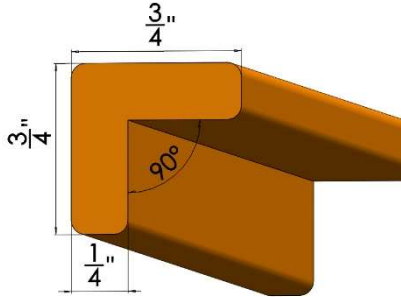
BM125



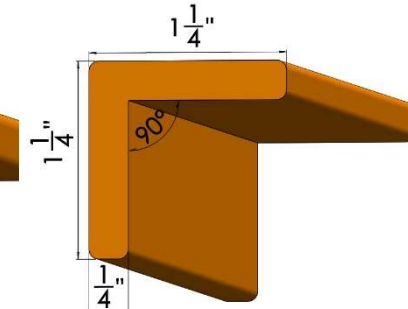
BM98



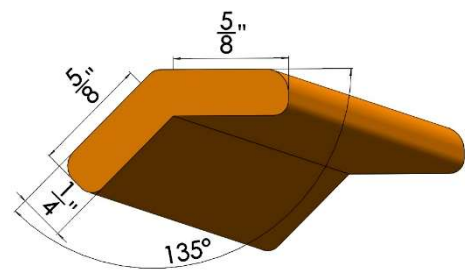
OCM206



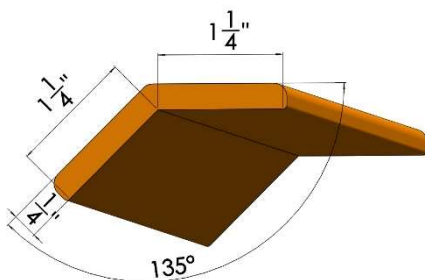
OCM206L



OCM135



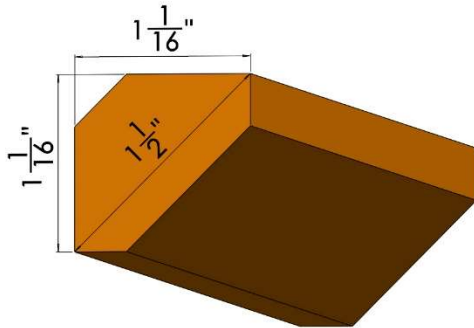
OCM135L



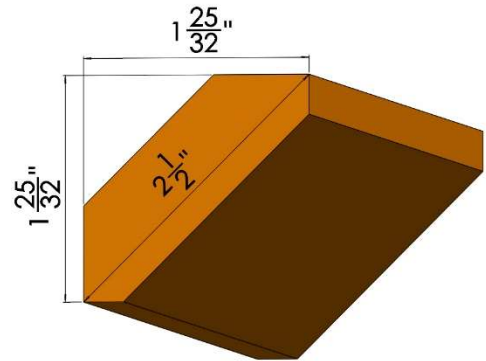
- Available in most wood species.
(See Winbid)
- Available to order in 8 foot lengths.

Crown Molding

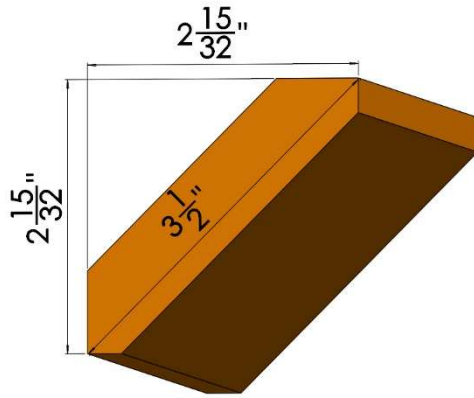
CMS5



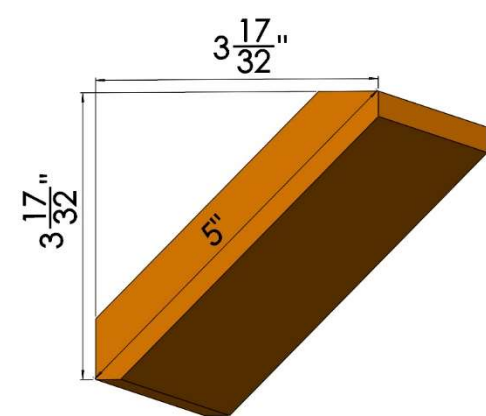
CMS6



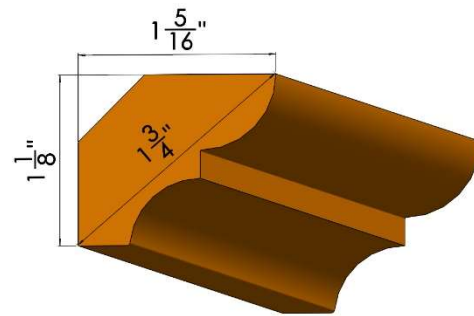
CMS10



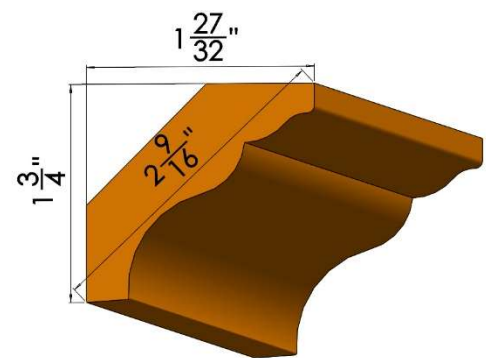
CMS14



CMF5

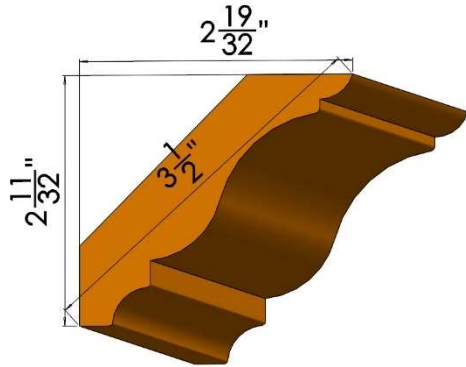


CMF6

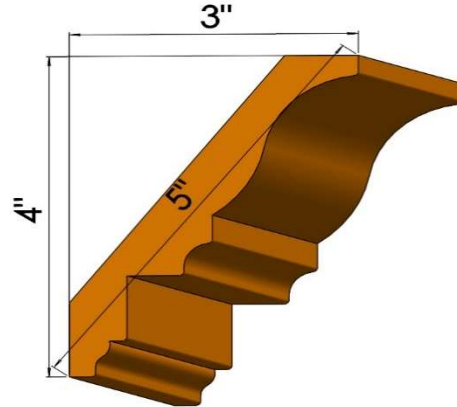


Crown Molding

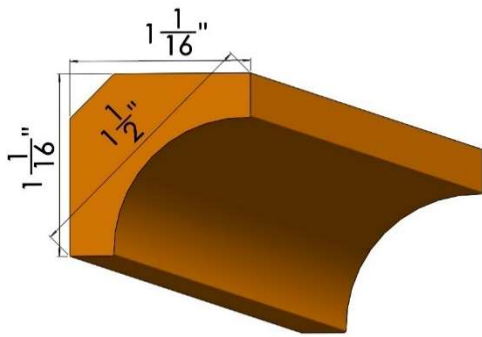
CMF10



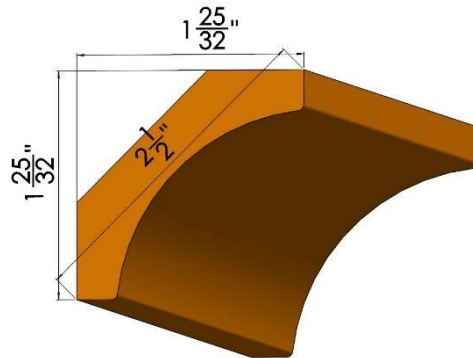
CMF14



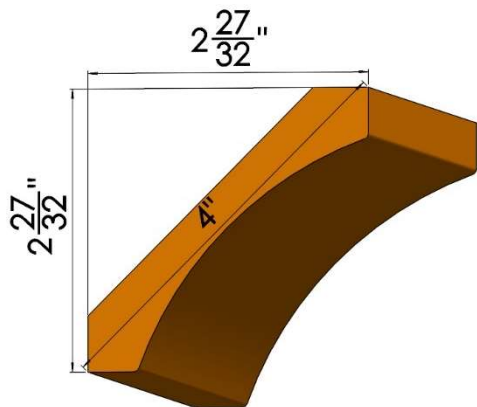
CMC5



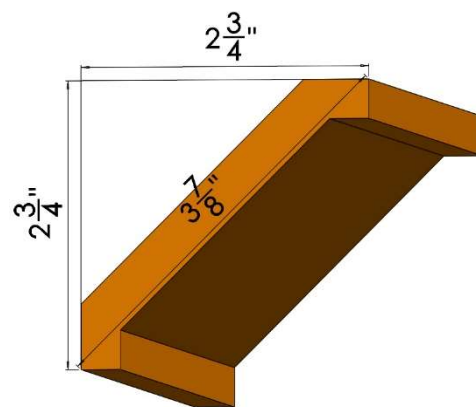
CMC6



CMC10



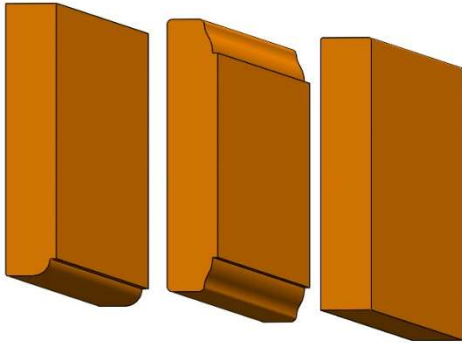
CMBV14



- Crown Molding comes in 8 foot lengths.
- Available in most wood species. (See Winbid)

Crown Molding Inserts & Trim

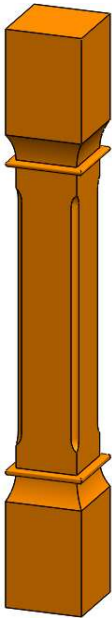
UT



- Universal Trim can be ordered with any of our door edge details.
- Example from left to right - 1/4" bead, Ogee, Square.
- Edge detail can be selected for the top or bottom.
- Available to order in 8 foot lengths, and up to 6" Wide.
- Specify if back needs to be finished.

Turn Posts

FTP



SMTTP



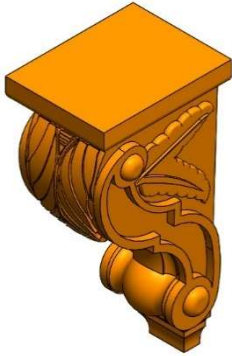
SQTP



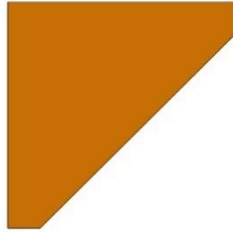
- Turn Posts are 34-1/2" Tall.
- See winbid for species availability and Turn Post widths.

Corbels & Bunn Feet

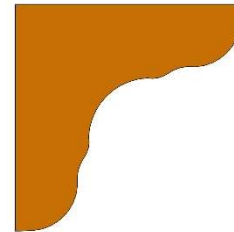
CORBEL



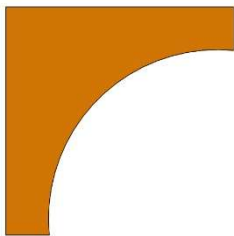
BARB



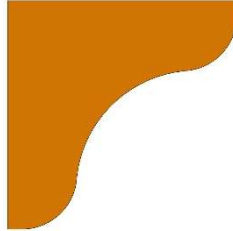
DBARB



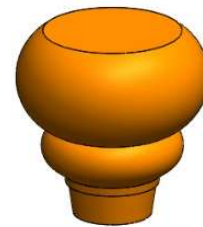
CBARB



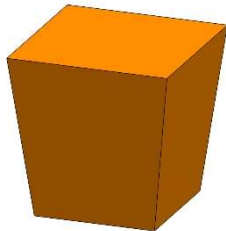
MBARB



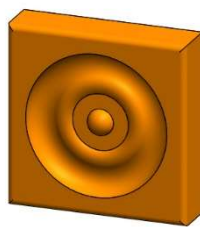
DBFT



TBFT



ROSETTE

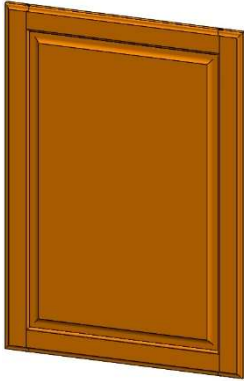


KEYSTONE



-
- All BARB styles are available in 3/4", 1-1/2", and 2-1/4" thickness.
 - See Winbid for species availability and sizes.

Door Only

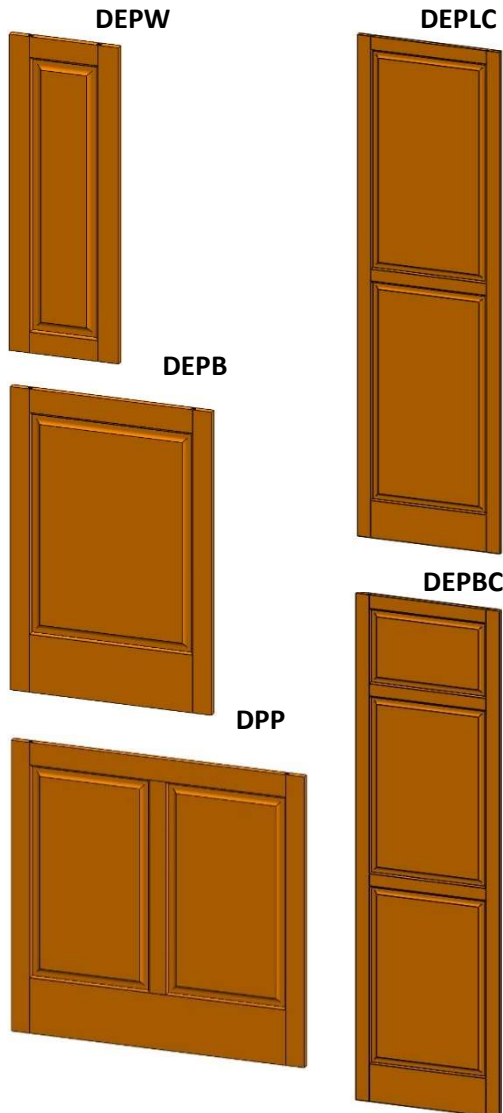


Code	Minimum-Maximum		
	Width	Height	Depth
Door Only	9-23"	9-96"	3/4"

Example:
Door Only
23X96

*Door Only are available to order at desired size
*Specify if hinged left or right
*Drawer fronts available to order as: **FRONT ONLY**

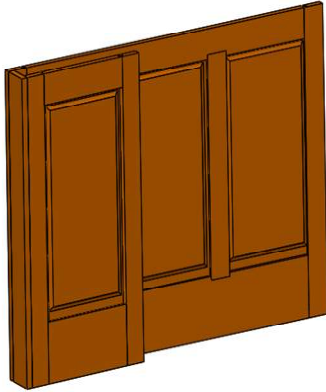
Door End Panels



Code	Minimum-Maximum		
	Width	Height	Depth
DEPW, DEPB, DEPLC, DEPBC, DPP	9-23"	9-96"	3/4"

Example:
DEPB24
NRTK,
DPP36X3
4-1/2-2
NRTK

*Door End Panels are available to order at desired size
*All Door End Panels come with square outside edge detail.
*DPP's are available in widths up to 96" wide
*DEPB, DEPLC, DEPBC, DPP are available to order with recessed toe. (Comes 4" shorter than specified height)



Code	Minimum-Maximum		
	Width	Height	Depth
DPCOL-L, DPCOL-R	48"	34-1/2"	3/4"

Example:
DPCOL-
L48X34-
1/2

***All Door End Panels come with square outside edge detail.**

***DPCOL's** are available in widths up to 48" wide

***DPCOL's** come with a 3" Filler before the Return

***DPCOL's** Return Width can be set to your liking and can be set as a Door End Panel or a Veneer Panel



5440 W Axel Park Road
West Jordan, UT 84081
Phone (801) 280-0646

Dealer HandBook

We have prepared this Dealer Handbook to help you understand the full potential of our cabinet line. In this handbook you will find information on pricing, factory policies, cabinet specifications and general information regarding the factory. We realize that our future depends on a very effective dealer program and we are eager to do everything we can to ensure your success as a Dealer of our product. You have our commitment to continue to provide quality products, with an ongoing effort of unsurpassed service.

Dealer Opportunities and Incentives

Why Choose Fashion Cabinet

- Over 45+ Finishes (Traditional, Paint Grade, Glazed and Glazed Accents)
- Many wood species to choose from (Clear, and Rustic) as well as High Density Fiber Board for painted cabinets
- Many door styles with hundreds of variations
- Three Year Warranty on Cabinet Boxes and Lifetime Warranty on Drawer Hardware and Hinges
- Our Commitment to Quality, Service and On-Time Delivery
- Manufactured in the USA Since 1972

Marketing Support Discount Incentive

Marketing Support Discount

Authorized Dealer Marketing Support Discount will accumulate on all eligible paid invoices at 2.5% (there is no cash value on this amount).

These MS resources can be used for the following:

- Pay for 100% of store displays going into a storefront or sample doors.
- Showroom displays, selection centers, and replacement doors for selection centers.

*Account must be current to take advantage of the Marketing Support (MS) resources. Marketing Support discount may only be applied to a qualifying order prior to shipping. Once the order has shipped, we are unable to apply marketing support discount. Marketing Support Discount will be used on future invoices and show up as Marketing Discount line item on the invoice or invoices it is applied to. **Contact Fashion Cabinet for Terms and Conditions***



**Fashion
Cabinet**
.com

5440 W Axel Park Road
West Jordan, UT 84081
Phone (801) 280-0646

Volume Sales Discount Incentive

Volume Sales Discount

Authorized Dealers that have at least \$25,000* per month in delivered products and have all delivered invoices paid in full within 30 days qualify for the 2.5% Volume Rebate Program (there is no cash value on this amount).

*Your Fashion Cabinet account must be current to qualify for the Volume Sales Discount. Volume Sales Discount will be used on future invoices and show up as Volume Discount line item on the invoice or invoices it is applied to. **Contact Fashion Cabinet for Terms and Conditions.** Volume sales discount may only be applied to a qualifying order prior to shipping. Once the order has shipped, we are unable to apply volume sales discount.*

WinBid Software Incentive

WinBid Software

WinBid software is available to our Authorized Dealers and their sales team FREE of charge. With our vast product line, we have created this software to aid in the pricing of our product. You will be able to design your customer's kitchen in our Winbid layout software. You will also be able to find cabinet sizes and specifications in our Winbid software, please call our IT department for support.

Fashion Cabinet Mfg., Inc. Background

About Us

Established in 1972, Fashion Cabinet has grown to be one of the largest residential cabinet suppliers in the intermountain west. Our state-of-the-art manufacturing facility has the latest precision milling and finishing equipment available. From our premium hardwoods which include oak, maple, alder, hickory, cherry, and walnut to the latest available hardware (i.e., full extension drawers, and door/drawer assisted soft close), combined with our extensive variety of door styles, our products are sure to please. Complimented beautifully by rich skillfully applied finishes and an unbeatable array of colors, accents, glazes and more, a kitchen with Fashion Cabinet cabinetry is sure to be the focal point of any home.

Fashion Cabinet is the exception in our industry. We believe a great product and excellent service are essential to our continued success. We know that your customers will be elated with their new, well designed, high quality kitchen cabinetry and you will be delighted with our on-time delivery and competitive prices. If you wish to further view our products and services, we invite you to visit us online at www.fashioncabinet.com.

For more information about our product offering, please visit us online at www.fashioncabinet.com or call us at 801-

280-0646 x315

Selection Center

The Selection Center is a great sales tool that will provide both you and your customer advantageous insights into Fashion Cabinet products. Everything needed to showcase the Fashion Cabinet product line.



Key Features Include:

- Door styles in our Traditional, Full Body Glazed, Glazed Accent, Paint Grade, and Additional Finish Options.
- Every interior, hinging, hardware, and molding option.
- View ports for easy viewing of points of interest, brochures, and other pertinent information. Also includes a removable Plexiglas top cover.
- Fully contained with a clear lens on top for easy viewing.
- Compact size 66" Wide, 84" High, and 26" Deep.
- Please contact your factory representative for more information on acquiring a selection center for your showroom



5440 W Axel Park Road
West Jordan, UT 84081
Phone (801) 280-0646

Model Discount

- Showroom Display (Approved by Factory) _____ Up to 25% Discount
- Model Home Display (Approved by Factory) _____ 10% Discount
- 66" Wide Customized Selection Center _____ \$1500.00 Net

Note: See your sales representative for any other display needs

Available at No Charge

- Color Brochures
- Specification Sheets
- WinBid Pricing, design and layout Software

Freight Policy

All orders are sold and shipped, F.O.B., Fashion Cabinet Mfg., Inc., shipping dock. All goods are shipped prepaid on a common carrier (LTL) unless the dealer has made other arrangements (i.e., contract carrier or customer Will Call). **It is the responsibility of the dealer to make note of any damage at the time of delivery. Damage claims must be reported to Fashion Cabinet no later than 24 hours after delivery.**

Freight bills on common carrier are based on the number of pounds (minimum of 100 pounds) and the location to which the shipment is going. Common carriers are very flexible with their shipping schedules but the risk of damage is much greater.

Freight bills on a contract carrier are based on the number of cabinets and the location to which the shipment is going (*a minimum delivery charge will apply*).

For packages containing skins, fillers, molding, screws, or shelves, add one (1) box to the freight charge for 1-3 miscellaneous packages and two (2) boxes to the freight charge for 4-6 miscellaneous packages. Taller cabinets such as linen closet, broom closets and oven cabinets, are charged as two (2) cartons. Contract carriers schedule deliveries into areas on certain days. When shipping with a contract carrier, it is best to consolidate orders. The risk of damage is very minimal.

If you would like information about the contract carrier delivering in your area, please contact our shipping department. We will be glad to assist in any way we can.

Fashion Cabinet Mfg., Inc. now offers the ability to palletize your load, the surcharge will vary depending on the size of your order; Please call our shipping department for details. Putting your load on a pallet greatly reduces the risk of damage on LTL carriers while in route to you.



5440 W Axel Park Road
West Jordan, UT 84081
Phone (801) 280-0646

Credit Policy

The following is a description of the policies and requirements necessary to establish an open account. Our credit department reviews each account based on:

1. Length of Time in Business.
2. Accuracy and Quality of Financial Statement Provided.
3. Reports Received from Other Suppliers (As Authorized by the Dealer).

The first step is to fill out and sign the Credit Application and Personal Guarantee to determine whether your account will be PREPAY with order or OPENED with a credit limit.

Accounts with questionable credit may provide an Irrevocable Letter of Credit in favor of Fashion Cabinet Mfg., Inc., issued by a financial institution, guaranteeing payment for the amount of what you anticipate your purchases will be for the month. This letter must be acceptable to Fashion Cabinet Mfg., Inc., and must be good for a period of one year.

When applying for a 30-day open account, you will need to provide six (6) trade references and a banking reference, which will allow Fashion Cabinet Mfg., Inc., to make an accurate credit evaluation.

All privately held corporations, partnerships, and sole proprietors, must complete the personal guarantee section of the credit application.

It is crucial that our terms and conditions are adhered to in order to maintain the close working relationship that we both desire.



5440 W Axel Park Road
West Jordan, UT 84081
Phone (801) 280-0646

Terms

Your business is very important to us and you have our assurance that we will do everything we can to service your needs as promptly and efficiently as possible.

To help maintain a pleasant relationship we ask that the following "**TERMS**" be followed.

Fashion Cabinet Mfg., Inc., does not have a C.O.D. (cash on delivery) policy. Our policy is a prepaid policy.

Prepaid Accounts

Customers not on an open account with Fashion Cabinet Mfg., Inc., will need to prepay their order **100% before the order will be entered into production.**

Customers not wanting to work on the 100% prepaid terms may provide Fashion Cabinet Mfg., Inc., with an **Irrevocable Letter of Credit**, issued by a financial institution guaranteeing payment for the amount you feel will cover your purchases for the month. If acceptable to Fashion Cabinet Mfg., Inc., we will then put your account on our 30-day terms of payment.

Thirty (30) Day Open Account

All approved accounts will be open with the terms of **Net 30 Days**. There is no discount for early payment.

All accounts are closely monitored and if the invoices due are not paid within forty (40) days from the shipping date, the account will automatically be placed on hold.

Responsibility for payment within our credit terms rests with the company or individual to whom the account was granted (A customer's failure to collect monies due them is not an acceptable excuse for non-payment within the terms stated herein).

It is the policy of Fashion Cabinet Mfg., Inc., to exercise its rights to collect all monies owed them, through whatever means the legal system has provided.



5440 W Axel Park Road
West Jordan, UT 84081
Phone (801) 280-0646

Ordering Procedures

Orders will not be scheduled for production until all required information is provided to Fashion Cabinet

- We will not run part of an order.
- All information for each order placed must be completed before it is processed.

Please review your order to make sure

- The number of cabinets on your drawing equals the number on your list.
- All cabinets are listed first, followed by parts at the end of the list.
- Make sure you have reviewed the order to specify right or left on cabinets where hand must be specified.
- Provide appliance cutout information where needed.
- Have all shipping information available (Include requested delivery date, carrier, delivery address and any special shipping instructions).

Online Orders

Online orders are the preferred method of ordering.

- Online orders must be placed using the WinBid Software.
- We will guarantee pricing only on the most current software version.
- If you do not have a current copy, please contact us immediately

Read your order confirmation in detail

- Confirmations are emailed back to you.
- Contact us immediately if you have any questions at all concerning the accuracy of any order as shown on the confirmation copy.
- Be on the lookout for duplicated or missing orders.

Note: *Fashion Cabinet Mfg., Inc. will not be responsible for mistakes or errors when this policy is not followed*



5440 W Axel Park Road
West Jordan, UT 84081
Phone (801) 280-0646

Lead Times

Fashion Cabinet Mfg., Inc., lead times may vary from 4 to 12 weeks.

Note: *Depending on our production load, orders may be required to be scheduled further out.*

When the cabinet order is entered into our system, you will receive an email acknowledgment copy of your order, including the anticipated finish date.

Order desk hours of operation:

Monday-Thursday _____ 8:00am-4:30pm.

Friday _____ 7:00am-3:30pm.

Saturday & Sunday _____ Closed.

Changes

When an order is placed with our company, it goes right through processing and is entered into production, this is necessary to meet our delivery schedule. Once the order has entered production, it is too late to cancel the order, or make any changes.

Additions

If a request is made to add cabinets to an order already in process, the additions to the order will be ran on a new invoice number and will require a new scheduled finish date.



5440 W Axel Park Road
West Jordan, UT 84081
Phone (801) 280-0646

Troubleshooting

As much as we would like everything to go perfectly, we know there are times when complications arise. A big part of our success is the service we render to our dealers and our commitment to solving these problems when they emerge. If something goes wrong, please feel free to call us regarding your issue.

<u>Department</u>	<u>Dial</u>
Ordering or Other Related Issues	Extension 1
Accounts Payable	Extension 6
Accounts Receivable	Extension 5
Shipping Department	Extension 2
WinBid Support	Extension 4
Sales Questions or Territory Issues	Factory Representative
Quality or Warranty Concerns	Factory Representative

Pricing Information

Until further notice Fashion Cabinet pricing is only available VIA the WinBid pricing software. The software has proven to be much easier to use with less mistakes than a paper price list. Please see your Fashion Cabinet sales representative for instructions on how to download and install your copy of WinBid today.

Don't see what you want?

Many more items are available.

If there is something you want that you can't find here, please give us a call.

Fashion Cabinet MFG., Inc. (801) 280-0646

Warranty Information

Fashion Cabinet Mfg., Inc. warrants its cabinetry to be free of material or workmanship defects for the first three years of ownership. Defective Fashion Cabinet products will be replaced or repaired at our option, upon return of the defective cabinets or parts to the factory in West Jordan, Utah. Upon completion of repairs or replacement of defective cabinets or parts, we will return the items to the dealer or customer.

In any claim "NO" labor or consequential damage shall be allowed. We shall not assume, nor authorize any person to assume for us any liability in connection with the sale of Fashion Cabinet Mfg., Inc. products.

Limited warranty does not cover products damaged by accident, misuse, including but not limited to, excessive moisture or heat, or damage from normal wear and tear, fire, flood, or acts of God. This limited warranty does not cover the natural changes that may occur from exposure to light, the natural aging or darkening of wood color, the inherent growth characteristics, or variations in wood.

We use only the finest hardware and storage solutions in our cabinetry. The hardware we use in our cabinetry is manufactured by Knappe & Vogt, Blum, and Rev-A-Shelf, all of which have a limited lifetime warranty by the manufacturer to the original purchaser.

Fashion Cabinet Mfg., Inc. reserves the right to change product specifications without notice.

Contact Fashion Cabinet or your authorized dealer for any changes made from this printing.